

This file is available for free download at <http://www.iluvmyrx7.com>



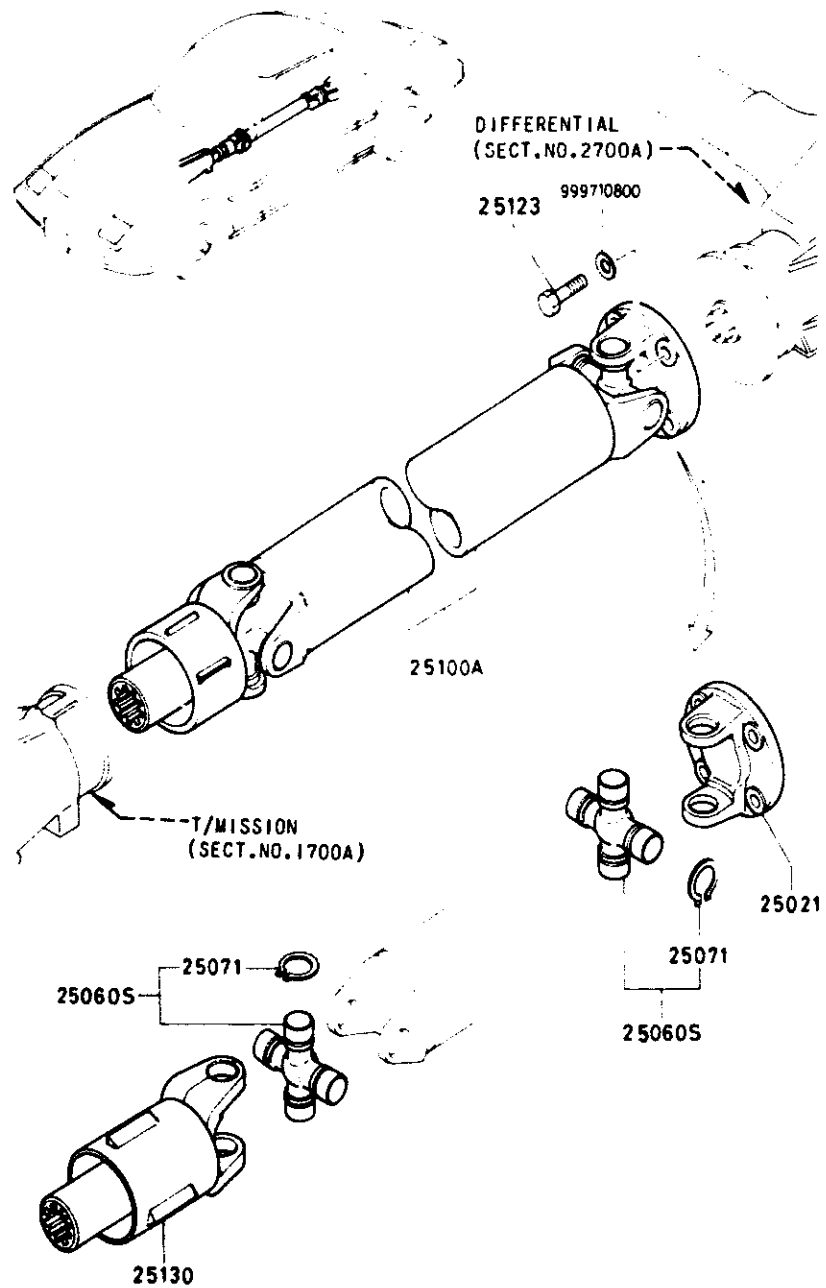
www.iluvmyrx7.com

SECTION INDEX -- CHASSIS

STARTING LOCATION	SECT. NO.	SECTION NAME	STARTING LOCATION	SECT. NO.	SECTION NAME	STARTING LOCATION	SECT. NO.	SECTION NAME
1 - C 8	2500A	PROPELLER SHAFT ('81 & '82 MODELS)						
1 - D 8	2500AA	PROPELLER SHAFT ('83 MODEL)						
1 - E 8	2600A	REAR AXLE						
1 - F 8	2610A	REAR BRAKES (DRUM BRAKE) (S & GS)						
1 - G 8	2610AA	REAR BRAKES (DISC BRAKE) (GS)						
1 - H 8	2700A	DIFFERENTIAL						
1 - J 8	2800A	REAR SUSPENSION						
1 - K 8	2810A	STABILIZER						
1 - L 8	3200A	STEERING WHEEL						
1 - M 8	3210A	STEERING GEAR & COLUMN						
1 - N 8	3230A	STEERING LINKAGE						
1 - C 9	3300A	FRONT AXLE & BRAKES						
1 - D 9	3400A	FRONT SUSPENSION						
1 - E 9	3410A	CROSS MEMBER & STABILIZER						
1 - F 9	3700A	TIRE & JACK						
1 - H 9	3900A	ENGINE & TRANSMISSION MOUNTINGS						
1 - I 9	4000A	EXHAUST SYSTEM						
1 - K 9	4140A	CLUTCH RELEASE & MASTER CYLINDER						
1 - L 9	4160A	ACCELERATOR CONTROLS						
1 - M 9	4200A	FUEL TANK						
1 - N 9	4300A	CLUTCH & BRAKE						
1 - C 10	4340A	TANDEM MASTER CYLINDER & VACUUM POWER ASSIST SYSTEM						
1 - D 10	4360A	BRAKE PIPINGS (REAR DRUM BRAKE) (S, GS)						
1 - E 10	4360AA	BRAKE PIPINGS (REAR DISC BRAKE) (GS)						
1 - F 10	4400A	PARKING BRAKE SYSTEM						
1 - G 10	4500A	FUEL PIPINGS						
1 - H 10	4600A	CHANGE CONTROLS (AUTOMATIC)						

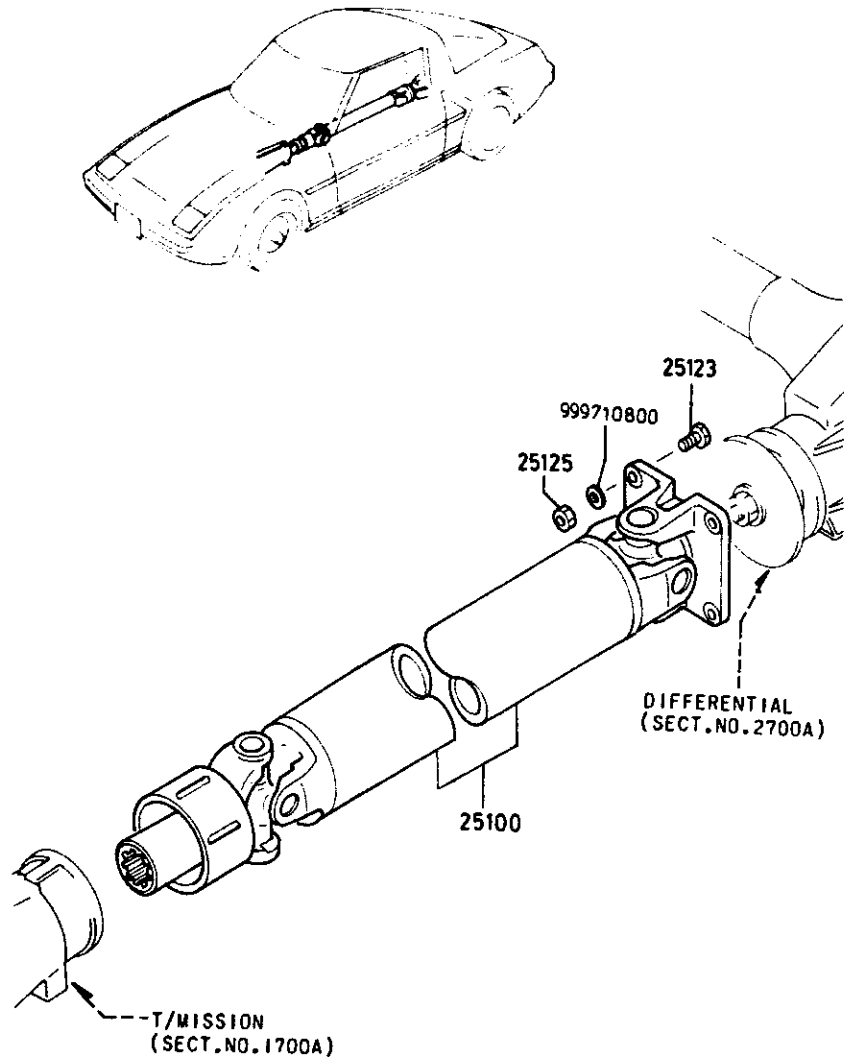
1 - B 8

2500A-1 PROPELLER SHAFT ('81 & '82 MODELS)



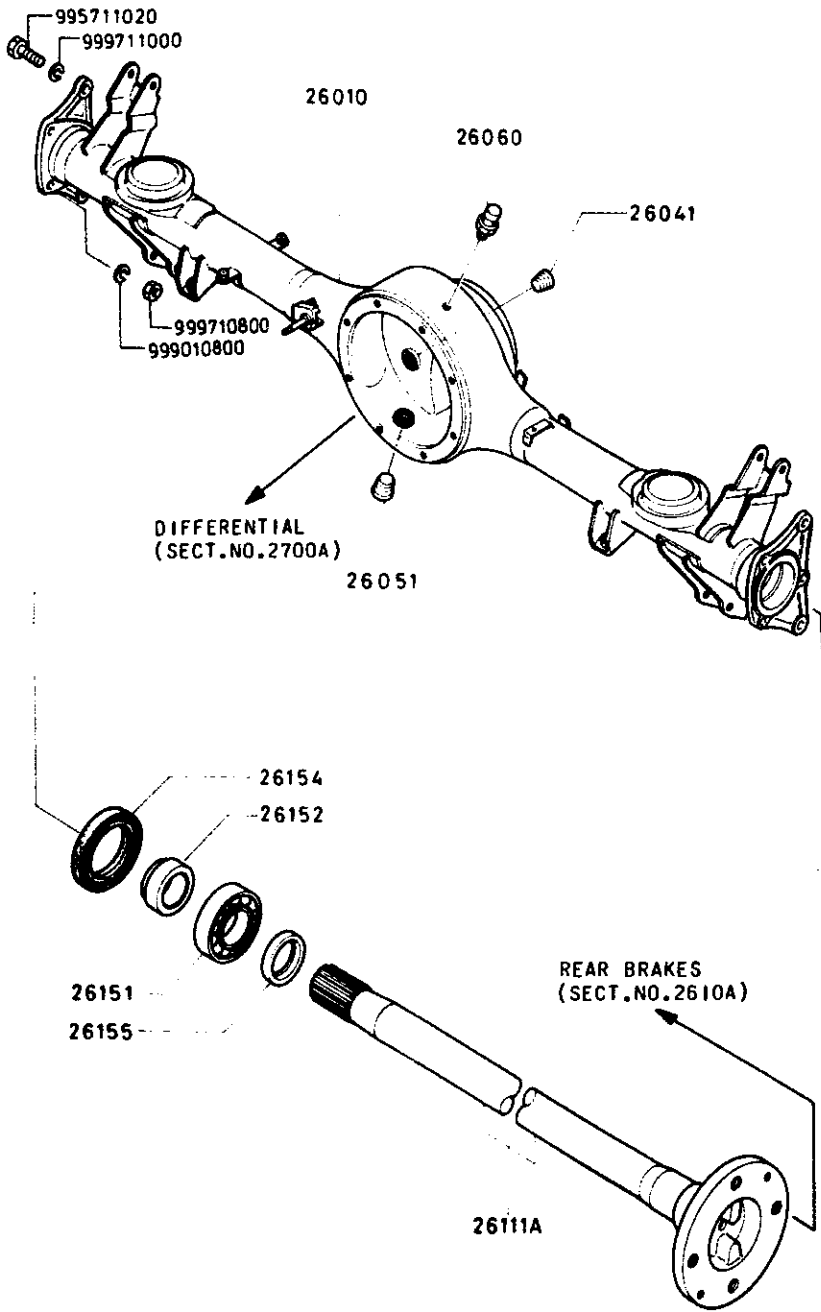
ITEM NO.	D-CODE	DESCRIPTION	PART NO.	QTY	MODEL/DESCRIPTION	REMARKS
25 021		YOKE, UNIVERSAL JOINT	0259-25-021B	1		
25 060S		JOINT SET, UNIVERSAL	88B1-25-060	2		
25 071		RING, SNAP	0259-25-071B	8	(T=1.22)	
			0259-25-072B	8	(T=1.24)	
			0259-25-073B	8	(T=1.26)	
			0259-25-074B	8	(T=1.28)	
			0259-25-075B	8	(T=1.30)	
			0259-25-076B	8	(T=1.32)	
			0259-25-077A	8	(T=1.34)	
		< A >	0259-25-077B	8		
			0259-25-078B	8	(T=1.36)	
			0259-25-079B	8	(T=1.38)	
25 100A		SHAFT, PROPELLER	8871-25-100	1		
25 123		BOLT	1393-25-123	4		
25 130		YOKE	0425-25-130B	1		

2500AA-1 PROPELLER SHAFT ('83 MODEL)



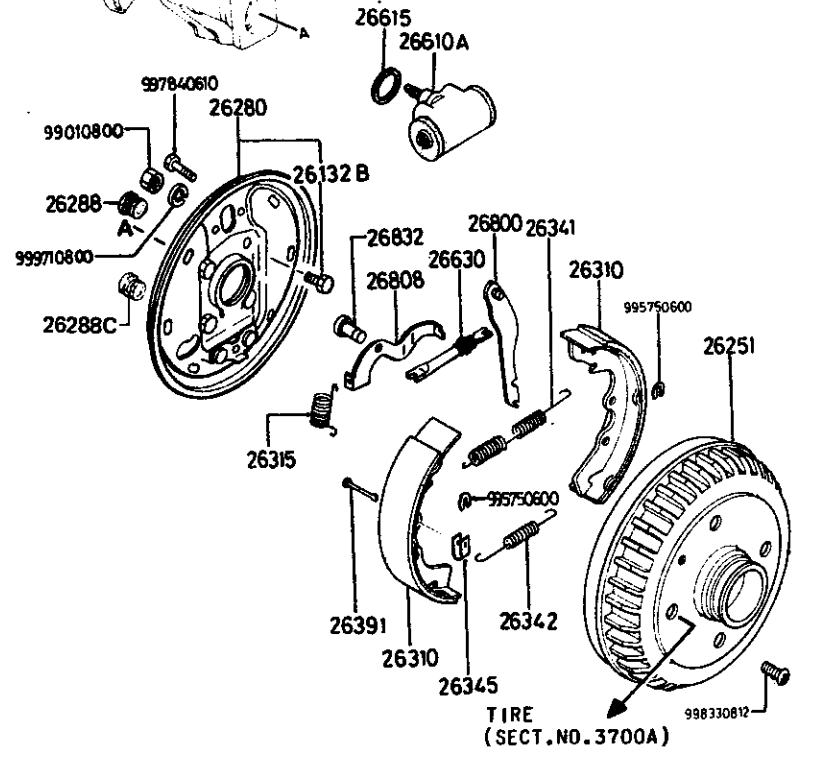
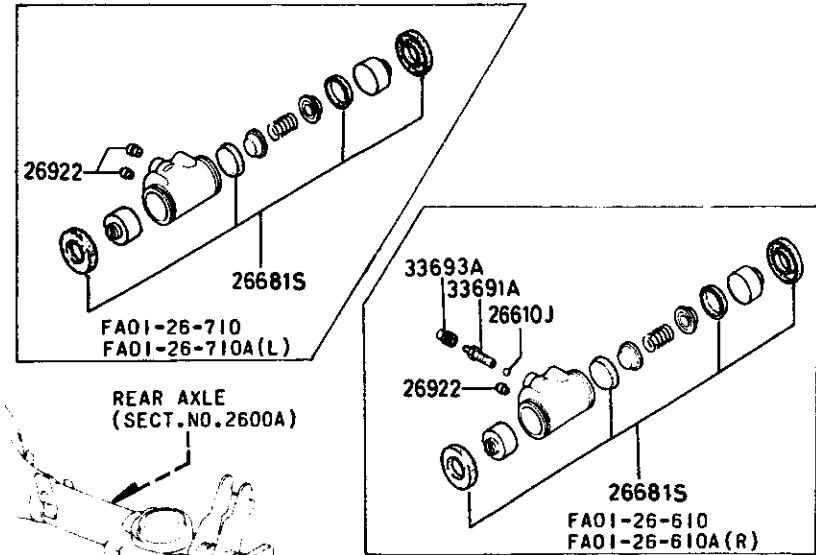
ITEM NO.	D-CODE	DESCRIPTION	PART NO.	QTY	MODEL/DESCRIPTION	REMARKS
25 100A		SHAFT, PROPELLER	M026-25-100	1		
25 123		BOLT	1456-25-123	4		
25 125		NUT	1456-25-125	4		

2600A-1 REAR AXLE



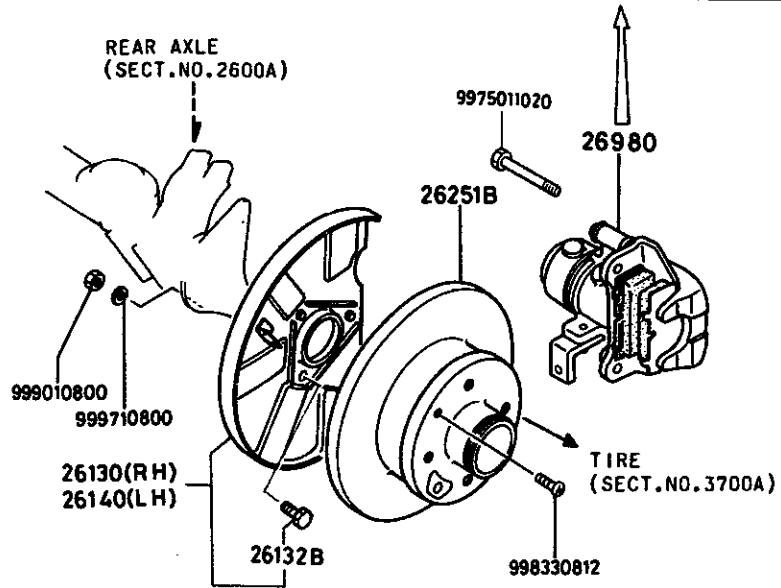
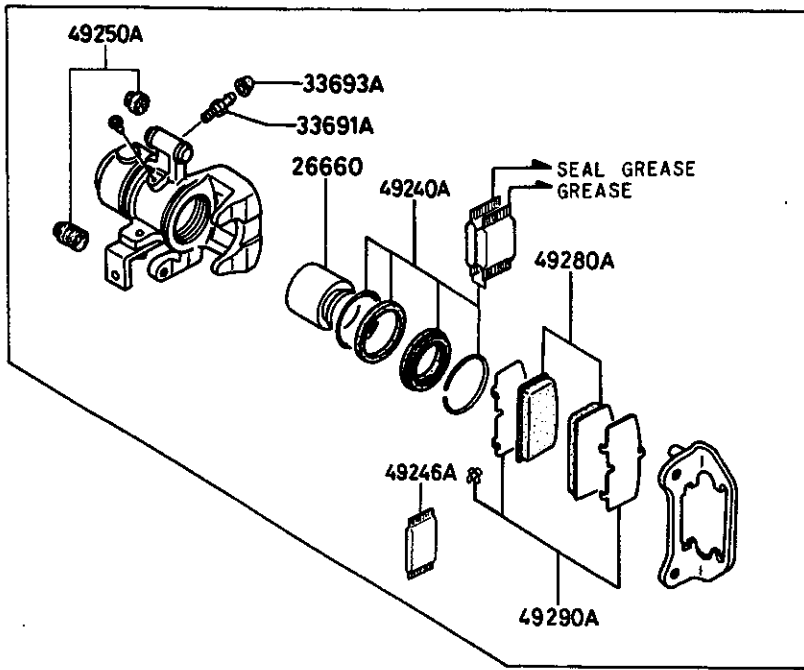
ITEM NO.	D-CODE	DESCRIPTION	PART NO.	QTY	MODEL/DESCRIPTION	REMARKS
26 010		CASING, REAR AXLE	FA19-26-020B	1	4-WHL DISC GSI ONLY	
			8871-26-020D	1	S & GS MODELS	
26 041		PLUG, OIL LEVEL	0259-26-041A	1		
26 051		PLUG, MAGNET DRAIN	0259-26-051	1		
26 060		BREATHER	0886-26-060	1		
26 111A		SHAFT, REAR AXLE	FA01-26-111	2		
26 151		BEARING	8871-26-151A	2		
26 152		COLLAR, BEARING	8531-26-152	2		
26 154		SEAL, OIL	0187-26-154	2		
26 155		SPACER, BEARING	0259-26-155	2		

**2610A-1 REAR BRAKES (DRUM BRAKE)
(S & GS)**



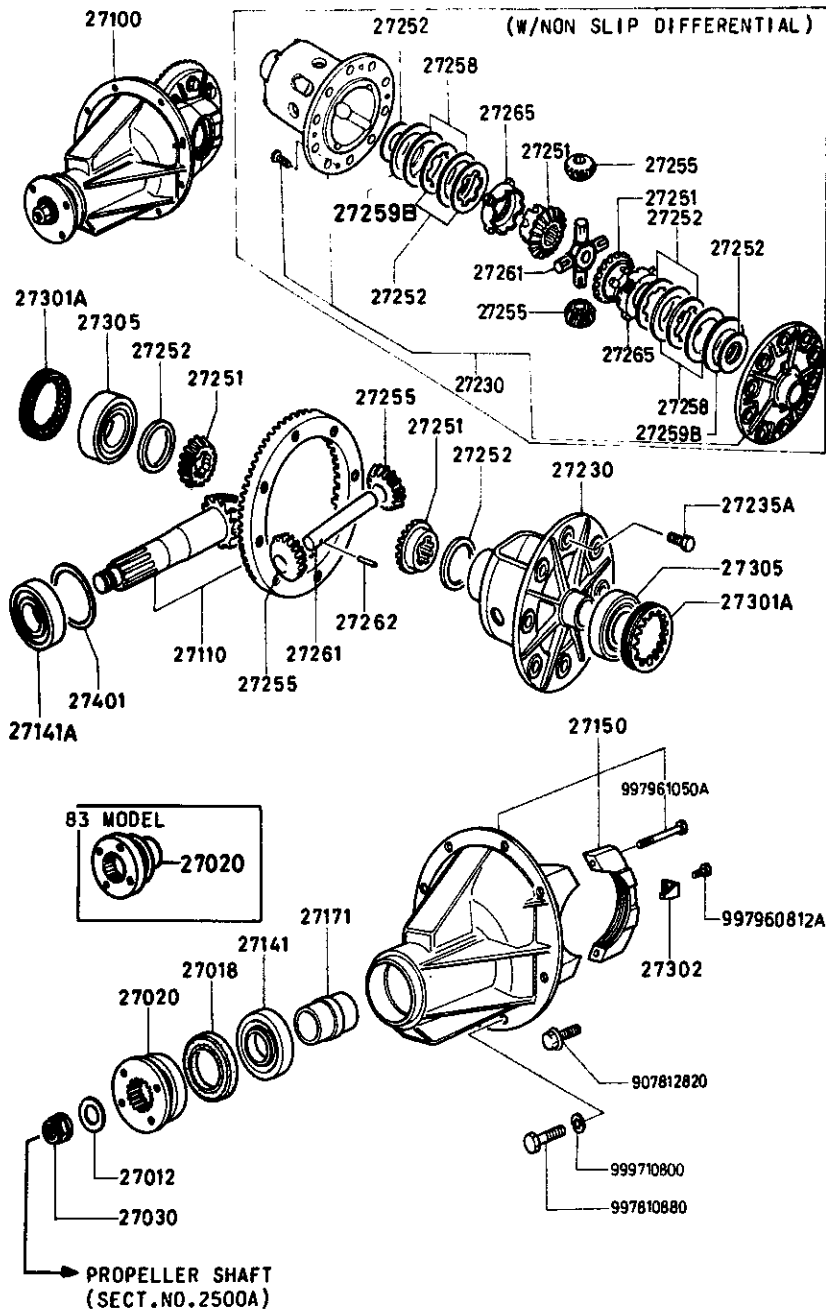
ITEM NO.	D-CODE	DESCRIPTION	PART NO.	QTY	MODEL/DESCRIPTION	REMARKS
26 132B		BOLT	3728-26-132	8		
26 251		DRUM, BRAKE	FA01-26-251	2		
26 280		PLATE (R), BRAKE BACK	FA01-26-280	1		
		PLATE (L), BRAKE BACK	FA01-26-290	1		
26 288		PLUG, BACK PLATE	0710-26-288	2		
26 288C		PLUG	3648-26-288	2		
26 310		SHOE, BRAKE	FA01-26-38Z	4		
26 315		SPRING, BRAKE BACK	GA02-26-315	2		
26 341		SPRING, RETURN-UPPER	FA01-26-341	2		
26 342		SPRING, RETURN-LOWER	1011-26-342	2		
26 345		SPRING, BRAKE SHOE	FA01-26-345	4		
26 391		PIN, BRAKE SHOE	FA01-26-391	4		
26 610A		CYLINDER (R), WHEEL	FA01-26-610A	1		
		CYLINDER (L), WHEEL	FA01-26-710A	1		
26 610J		BALL, STEEL	9961-11-500	1		
26 615		GASKET, WHEEL CYLINDER	1175-26-615	2		
26 630		ADJUSTER (R)	FA01-26-630	1		
		ADJUSTER (L)	FA01-26-640	1		
26 6815		BOOT SET	BB62-89-334	2		
26 800		LEVER (R), OPERATING	FA01-26-800	1		
		LEVER (L), OPERATING	FA01-26-810	1		
26 808		LEVER (R), PAWL	FA01-26-808	1		
		LEVER (L), PAWL	FA01-26-818	1		
26 832		PIN (R)	FA01-26-832	1		
		PIN (L)	GA02-26-832	1		
26 922		SHEET, TUBE	0613-26-922	3		
33 691A		SCREW, BLEEDER	0259-33-691	2		
33 693A		CAP, BLEEDER SCREW	0259-33-693	2		

**2610AA-1 REAR BRAKES (DISC BRAKE)
(GSL)**



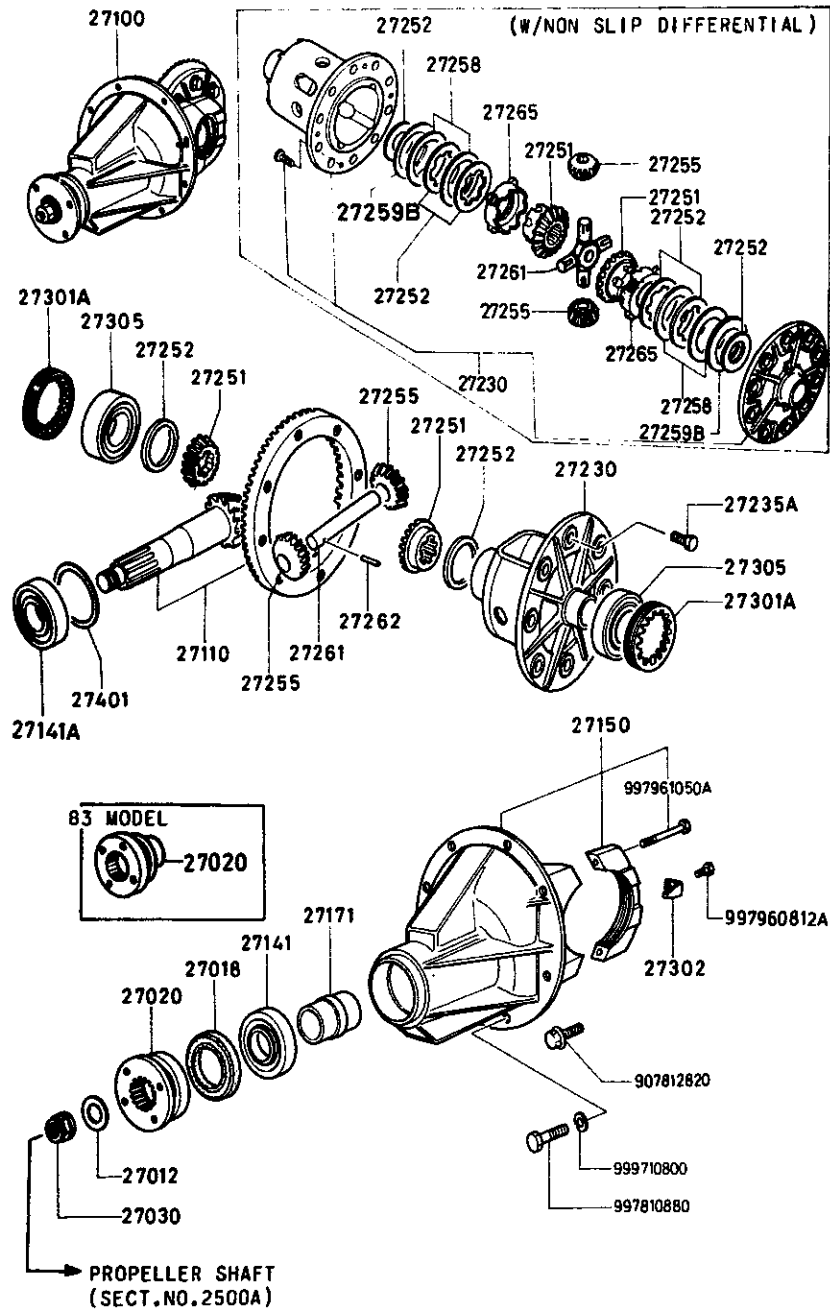
ITEM NO.	D-CODE	DESCRIPTION	PART NO.	QTY	MODEL/DESCRIPTION	REMARKS
26 130		COVER, DUST (R)	FA18-26-130	1		
26 132B		BOLT	3728-26-132	6		
26 140		COVER, DUST (L)	FA18-26-140	1		
26 251B		PLATE, DISC	FA18-26-251	2		
26 6660		PISTON	FA18-26-660	2		
26 980		BRAKE (R), DISC	FA18-26-980A	1		
		BRAKE (L), DISC	FA18-26-990A	1		
33 691A		SCREW, BLEEDER	0233-33-691	2		
33 693A		CAP, BLEEDER SCREW	0259-33-693	2		
49 240A		SEAL, KIT	FA18-49-240	1		
49 246A		GREASE	FA18-49-270	1		
49 250A		BOOT KIT	FA18-49-250	1		
49 280A		PAD, SUB SET	FA18-49-280A	1		
49 290A		ATTACHMENT-PAD	FA18-49-290	1		

2700A-1 DIFFERENTIAL



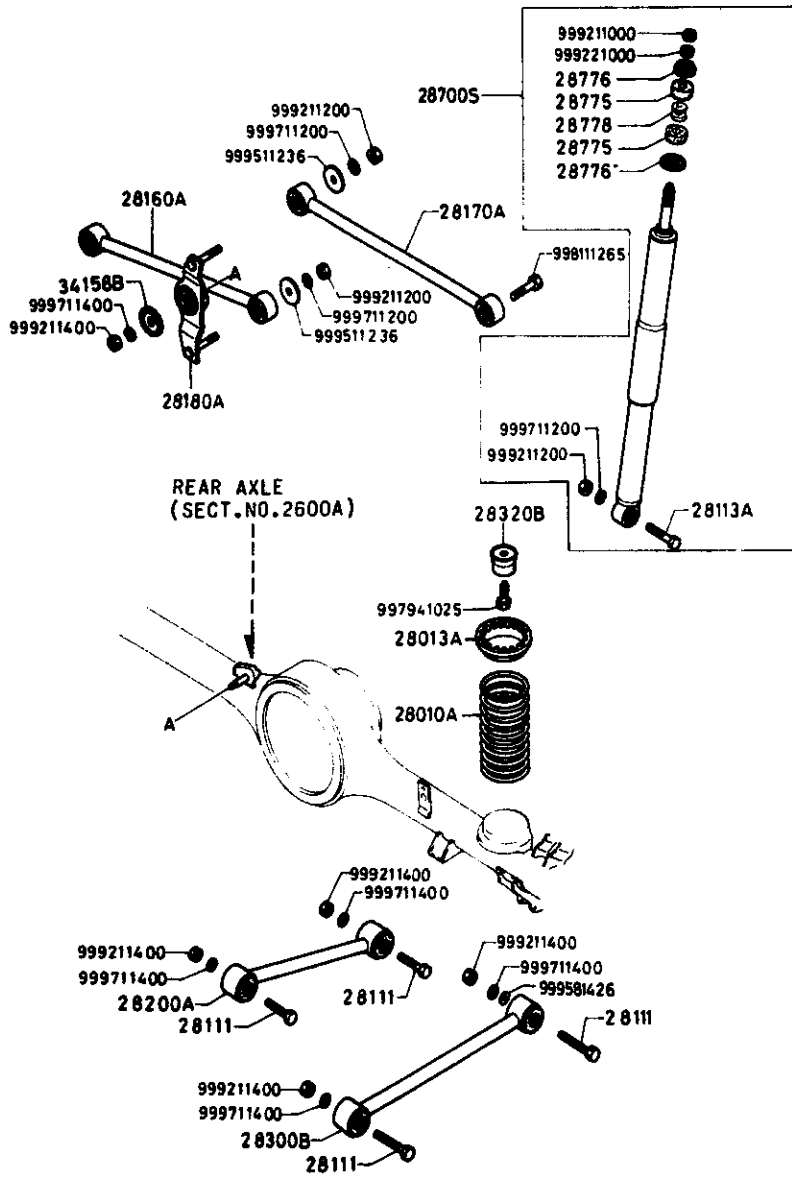
ITEM NO.	D-CODE	DESCRIPTION	PART NO.	QTY	MODEL/DESCRIPTION	REMARKS
27 012		WASHER	0223-27-012	1		
27 018		SEAL, OIL	0223-27-018	1	'81 & '82 MODELS	
			M005-27-165	1	'83 MODEL	
27 020		FLANGE, COMPANION	0223-27-020C	1	'81 & '83 MODELS	
			M005-27-120D	1	'83 MODEL	
27 030		NUT, LOCK	0223-27-030	1		
27 100		DRIVE & DIFFERENTIAL	8051-27-100C	1	'81 & '82 S & GS MODELS	
			M019-27-100A	1	'83 MODEL S & GS MODELS	
			M030-27-100	1	'81 & '82 NON-SLIP DIFF. GSL MODELS	
			M092-27-100B	1	'83 NON-SLIP DIFF. GSL MODEL	
27 110		GEAR SET, FINAL	8051-27-110D	1	(RATIO=3.909)	
27 141		BEARING, PINION-FRONT	0755-27-210	1		
27 141A		BEARING, PINION-REAR	0221-27-210	1		
27 150		CARRIER, DIFFERENTIAL	0820-27-150C	1		
27 171		PIECE, DISTANCE	0305-27-171	1		
27 230		CASE	M020-27-230	1	GSL MODEL	
			0290-27-231B	1	S & GS MODELS	
			0290-27-231C	1		
27 235A		BOLT, REAMER	8051-27-235	10	(D=10.0)	
			8051-27-236	10	(D=10.2)	
27 251		GEAR, DIFFERENTIAL SIDE	M020-27-251	2	GSL MODEL	
			0820-27-251A	2	S & GS MODELS	
27 252		WASHER	0290-27-252	2	(T=2.00) S & GS MODELS	
			0290-27-253	2	(T=2.10) S & GS MODELS	
			0290-27-254	2	(T=2.20) S & GS MODELS	
			0290-27-256	2	(T=2.05) S & GS MODELS	
			0290-27-259	2	(T=2.15) S & GS MODELS	
			M020-27-252	2	(T=1.60) GSL MODEL	
			M020-27-253	2	(T=1.80) GSL MODEL	
			M020-27-256	4	(T=2.00) GSL MODEL	
			M020-27-257	4	(T=2.10) GSL MODEL	

2700A-2 DIFFERENTIAL



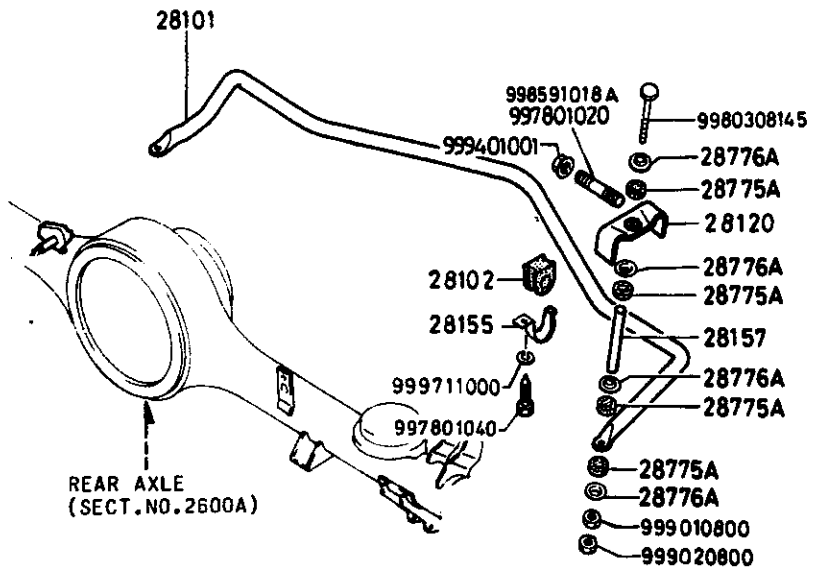
ITEM NO.	D-CODE	DESCRIPTION	PART NO.	QTY	MODEL/DESCRIPTION	REMARKS
27 255		PINION, DIFFERENTIAL	0221-27-255C	2	S & GS MODELS	
			M020-27-255	4	GSL MODEL	
27 258		PLATE, FRICTION	M020-27-258	4	GSL MODEL	
27 259B		SPRING, CONICAL	M020-27-259	2	GSL MODEL	
27 261		SHAFT, DIFFERENTIAL PINION	0305-27-261	1	S & GS MODELS	
		SHAFT, DIFFERENTIAL	M020-27-261	1	GSL MODEL	
27 262		PIN	0114-27-262	1	S & GS MODELS	
27 265		RING, PRESSURE	M020-27-265	2	GSL MODEL	
27 301A		SCREW, ADJUST	0290-27-301	2		
27 302		PLATE, LOCK	0290-27-302	2		
27 305		BEARING	0221-27-350	2		
27 401		SPACER	0223-27-401A	1	(T=3.08)	
			0223-27-402A	1	(T=3.11)	
			0223-27-403A	1	(T=3.14)	
			0223-27-404A	1	(T=3.17)	
			0223-27-405A	1	(T=3.20)	
			0223-27-406A	1	(T=3.23)	
			0223-27-407A	1	(T=3.26)	
			0223-27-408A	1	(T=3.29)	
			0223-27-409A	1	(T=3.32)	
			0223-27-411A	1	(T=3.35)	
			0223-27-412A	1	(T=3.38)	
			0223-27-413A	1	(T=3.41)	
			0223-27-414A	1	(T=3.44)	
			0223-27-415A	1	(T=3.47)	

2800A-1 REAR SUSPENSION



ITEM NO.	D-CODE	DESCRIPTION	PART NO.	QTY	MODEL/DESCRIPTION	REMARKS
28 010A		SPRING, COIL	8871-28-011B	2		
28 013A		SHEET, RUBBER	8871-28-013B	2		FB331 ..700001-700131
			< A > 8871-28-013C	2		FB331 ..700132-
28 111		BOLT	0305-28-111B	8		
28 113A		BOLT	1243-28-111	2		
28 160A		LINK (R), WATT	8871-28-160	1		
28 170A		LINK (L), WATT	8871-28-170	1		
28 180A		BRACKET, WATT LINK	8871-28-180	1		
28 200A		LINK	8871-28-200	2		
28 300B		LINK, LOWER	8871-28-300A	2		
28 320B		STOPPER, BUMP	8871-28-320	2		
28 700S		DAMPER SET, REAR	FA01-99-281A	2		
28 775		BUSHING, RUBBER	8871-28-775	4		
28 776		RETAINER	0223-28-776	4		
28 778		GROMMET	0259-28-778	2		
34 158B		WASHER	0866-34-158	1		

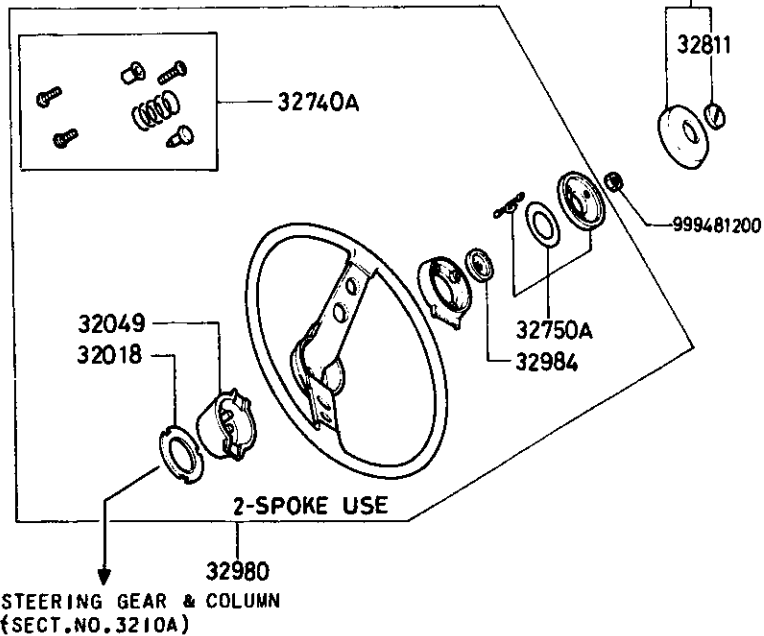
2810A-1 STABILIZER



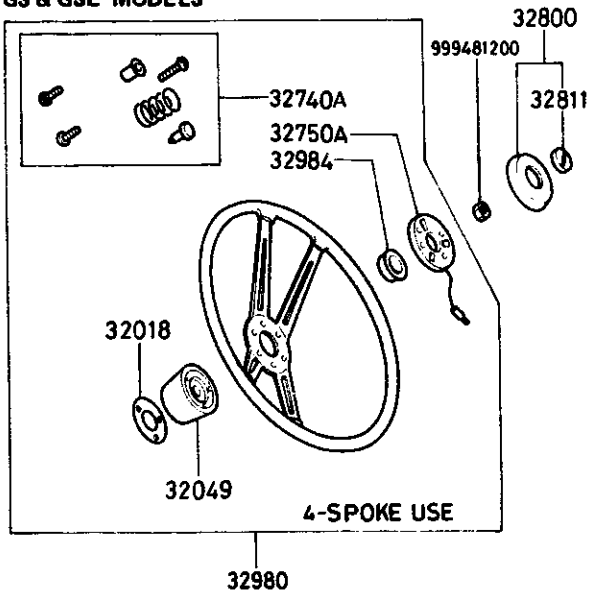
ITEM NO.	D-CODE	DESCRIPTION	PART NO.	QTY	MODEL/DESCRIPTION	REMARKS
28 101		STABILIZER	8980-28-151	1	(16MM) (0.63 INCH) '81 MODEL THRU OCT. '80 PROD.	FB331 ..500001-510972
			8871-28-151A	1	(18MM) (0.71 INCH) '81 & '82 MODELS	
			FA01-28-151	1	(15MM) (0.59 INCH) '83 MODEL	FB331 ..501693-
28 102		BUSHING, RUBBER	FA01-28-156	2	(FOR 15MM STABILIZER)	FB331 ..501693-
			8871-28-156	2	(FOR 18MM STABILIZER) '81 & '82 MODELS	
				2	(FOR 17MM STABILIZER) '83 MODEL	
			8980-28-156	2	(FOR 16MM STABILIZER) '81 MODEL	FB331 ..500001-510972
28 120		BRACKET, CONTROL LINK	FA01-28-120A	2	'81 MODEL	FB331 ..507335-510972
			FA01-28-120B	2		FB331 ..510973-
			8871-28-120B	2	'81 MODEL	FB331 ..500001-507334
28 155		BRACKET, STABILIZER SUPPORT	FA01-28-155	2		FB331 ..501693-
			8871-28-155	2	'81 MODEL	FB331 ..500001-510972
28 157		SPACER, STABILIZER	8871-28-157	2		
28 775A		BUSHING, RUBBER-STABILIZER	0710-28-775	8		
28 776A		RETAINER, STABILIZER	0710-28-776	8		

3200A-1 STEERING WHEEL

S MODEL

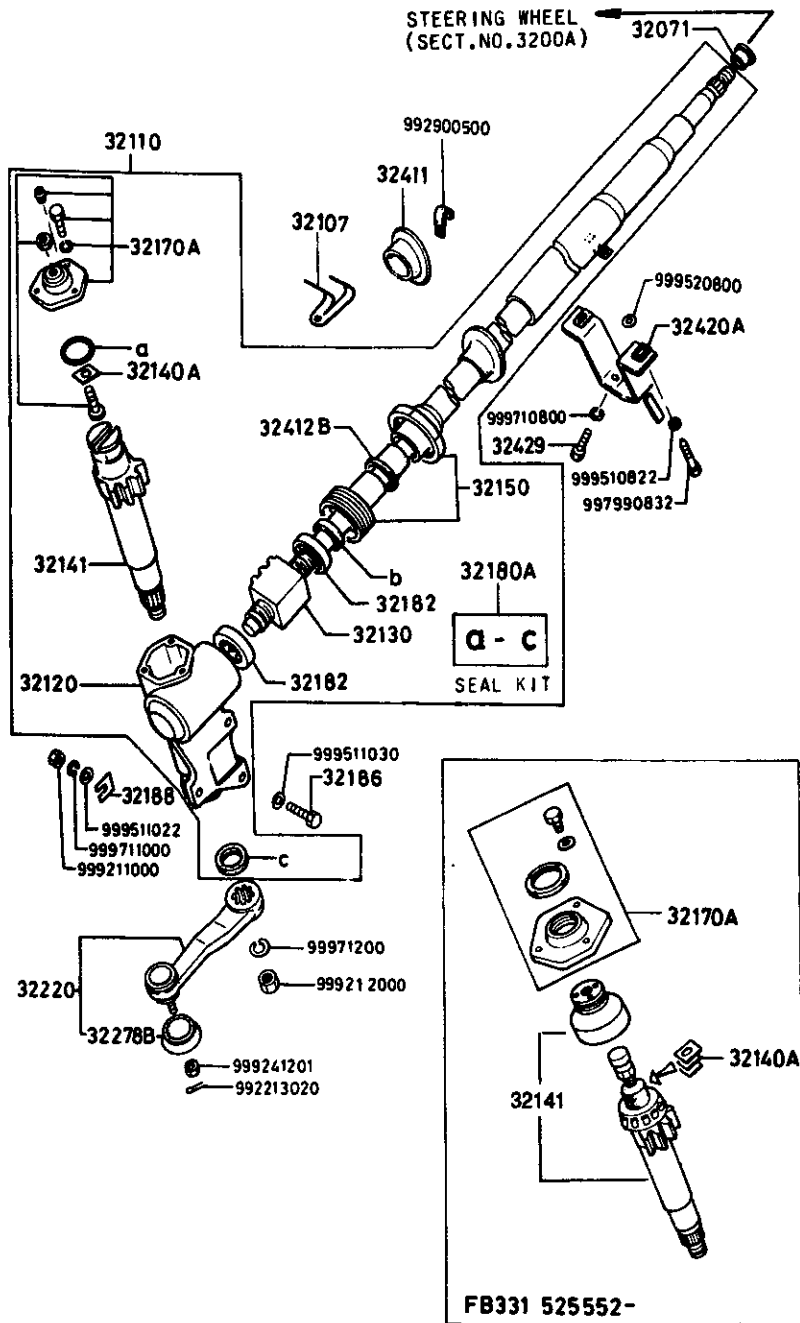


GS & GSL MODELS



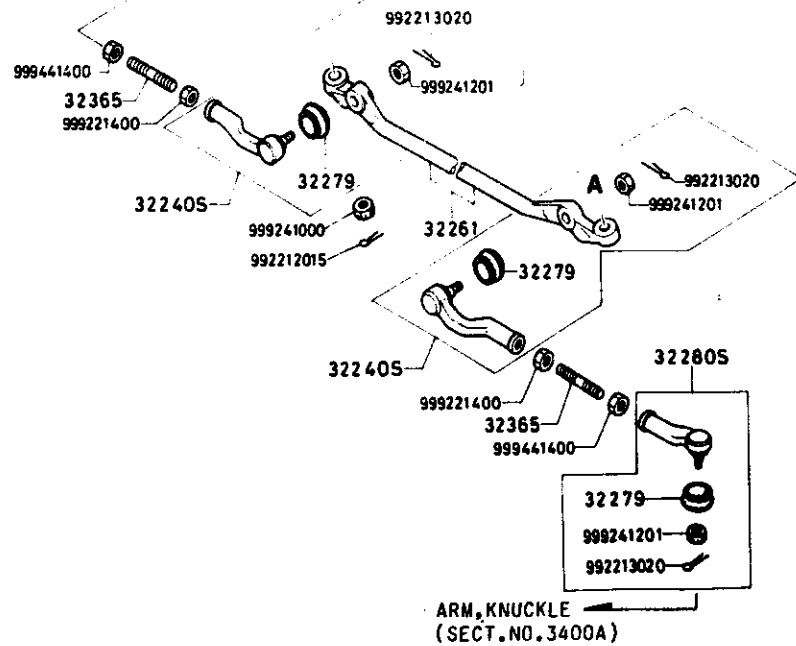
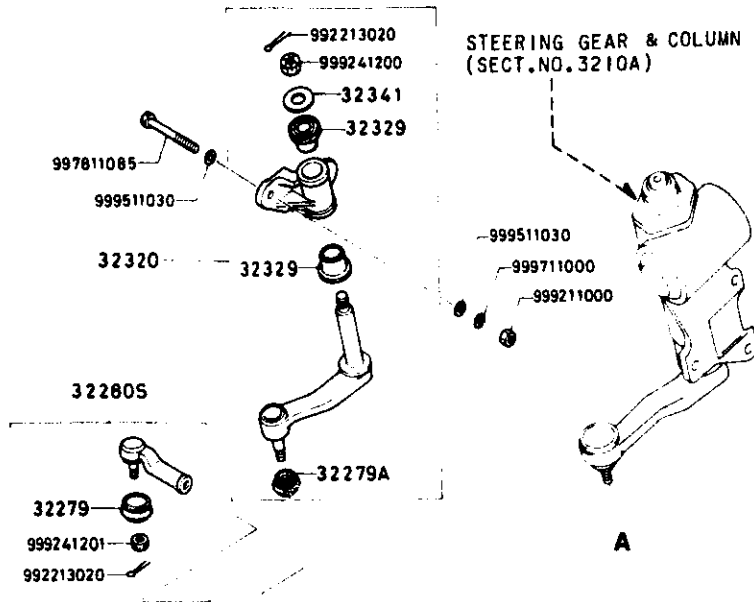
ITEM NO.	D-CODE	DESCRIPTION	PART NO.	QTY	MODEL/DESCRIPTION	REMARKS
32 018		TERMINAL	8532-32-018	1	(2-SPOKE USE) S MODEL	
			UA47-32-018	1	(4-SPOKE USE) GS & GSL MODELS	
32 049		COVER, WHEEL CORE	8532-32-049	1	(2-SPOKE USE) S MODEL	
		BLACK	00			
			8871-32-049C	1	(4-SPOKE USE) GS & GSL MODELS	
			00			
32 740A		SET-SCREW	8532-32-740	1	(2-SPOKE USE) S MODEL	
			8871-32-740B	1	(4-SPOKE USE) GS & GSL MODELS	
32 750A		SET-HORN	8532-32-750	1	(2-SPOKE USE) S MODEL	
			8871-32-750	1	(4-SPOKE USE) GS & GSL MODELS	
32 800		CAP, HORN	8531-32-800	1	(2-SPOKE USE) S MODEL	
		BLACK	01			
			8871-32-800	1	(4-SPOKE USE) GS & GSL MODELS	
		BLACK	01			
32 811		EMBLEM	8531-32-811	1		
32 980		BOSS, STEERING WHEEL	8180-32-980B	1	(4-SPOKE, URETHNE) GS & GSL MODELS STANDARD	
		BLACK	00			
			8344-32-980B	1	(4-SPOKE, LEATHER) GS & GSL MODELS OPTIONAL	
		BLACK	00			
			8349-32-980	1	(2-SPOKE, URETHANE) S MODEL	
		BLACK	00			
32 984		SET, CUP	8532-32-984	1	(2-SPOKE USE) S MODEL	
			8871-32-984	1	(4-SPOKE USE) GS & GSL MODELS	

3210A-1 STEERING GEAR & COLUMN



ITEM NO.	D-CODE	DESCRIPTION	PART NO.	QTY	MODEL/DESCRIPTION	REMARKS
32 071		BUSHING	8182-32-071	1	'81 & '82 MODELS	FB331 ..500001-610823
			8182-32-071A	1	'82 MODEL	FB331 ..610824-652105
			1244-32-071A	1	'82 & '83 MODEL	FB331 ..652106-
32 107		CLIP	8871-32-862	1		
32 110		GEAR, STEERING	FA01-32-110	1	'81 MODEL	FB331 ..500001-525551
			FA24-32-110B	1	'81 & '82 MODELS	FB331 ..525552-
32 120		HOUSING, GEAR	FA01-32-120	1	'81 MODEL	FB331 ..500001-525551
			FA24-32-120	1		FB331 ..525552-
32 130		BALL NUT, WORM	FA01-32-130	1	'81 MODEL	FB331 ..500001-525551
			FA24-32-130	1		FB331 ..525552-
32 140A		SHIM KIT, ADJUST	8180-32-140	1		
32 141		SHAFT, SECTOR	FA01-32-141	1	'81 MODEL	FB331 ..500001-525551
			FA24-32-141A	1		FB331 ..525552-
32 150		COVER KIT, END	FA01-32-150	1	'81 MODEL	FB331 ..500001-525551
			FA24-32-150	1		FB331 ..525552-
32 170A		COVER KIT, SIDE	FA01-32-170	1	'81 MODEL	FB331 ..500001-525551
			FA24-32-170	1		FB331 ..525552-
32 180A		SEAL KIT	8871-32-180	1		
32 182		BEARING	8871-32-182	2		
32 186		BOLT, GEAR HOUSING	8173-32-359	3		
32 188		SHIM, ADJUST	0208-32-188	2		
32 220		ARM, PITMAN	1757-32-220	1		
32 278B		SEAL, DUST-PITMAN	8545-32-278	1		
32 411		COVER, DUST	8871-32-411	1		
32 412B		BUSHING	8871-32-412	1		
32 420A		BRACKET, FIXING	FA01-32-420	1	'81 MODEL	FB331 ..500001-525551
			FA24-32-420	1		FB331 ..525552-
32 429		BOLT	8871-32-429A	4		

3230A-1 STEERING LINKAGE

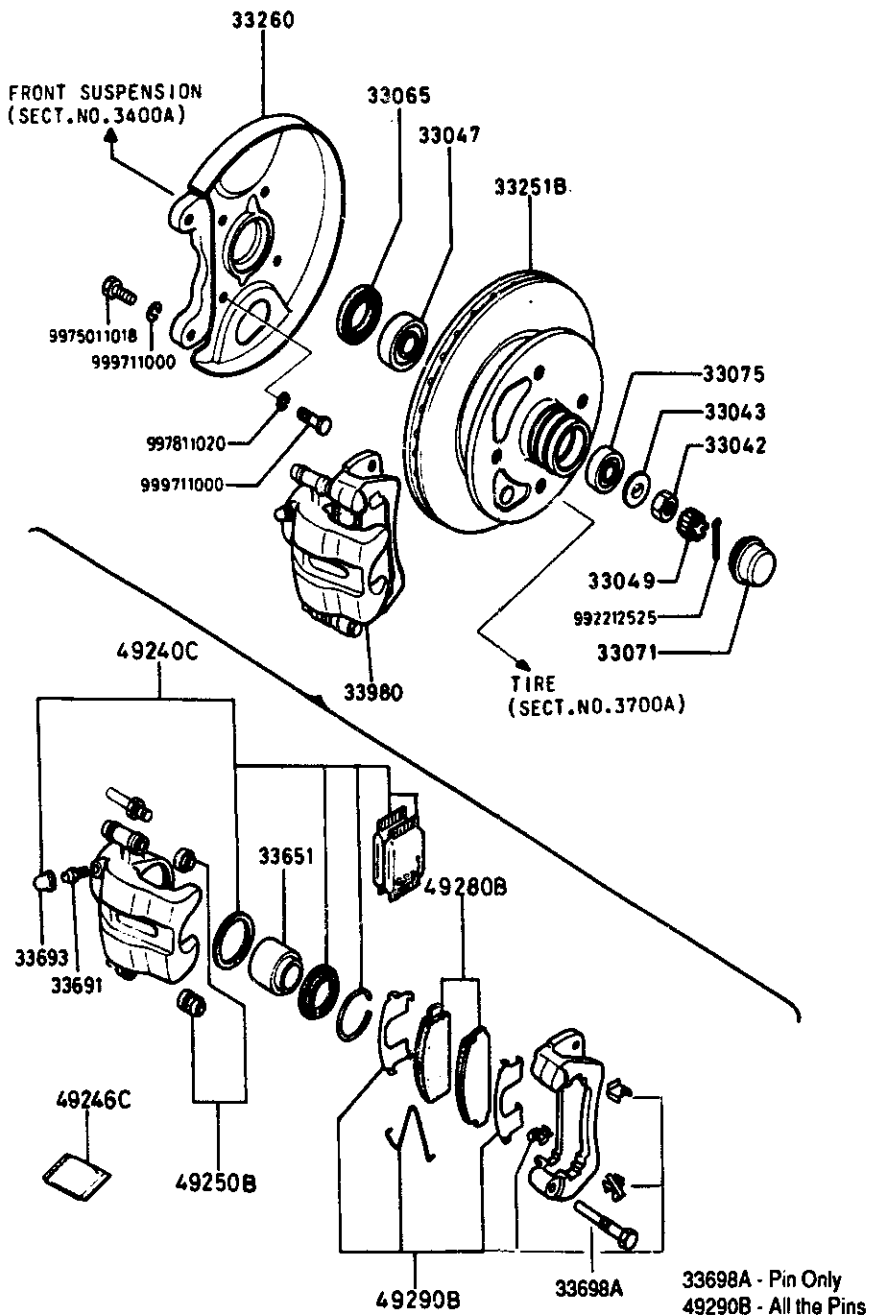


ITEM NO.	D-CODE	DESCRIPTION	PART NO.	QTY	MODEL/DESCRIPTION	REMARKS
	32 240S	JOINT SET, BALL	8531-99-322A	2		
	32 261	LINKAGE, CENTER	8871-32-261	1		
	32 279	SEAL, DUST	8021-32-279	4		
	32 279A	SEAL, DUST	8531-32-279	1		
	32 280S	JOINT SET, BALL	8021-99-324	2		
	32 320	ARM, IDLER	8871-32-320A	1		
		REFER TO RECALL CAMPAIGN NO. 17510 FOR INFO. REGARDING AFFECTED STATES.				
	32 329	BUSHING	1524-32-329B	2		
	32 341	WASHER	0866-32-341	1		
	32 365	ROD, TIE	2113-32-365	2		

SECTION INDEX -- CHASSIS

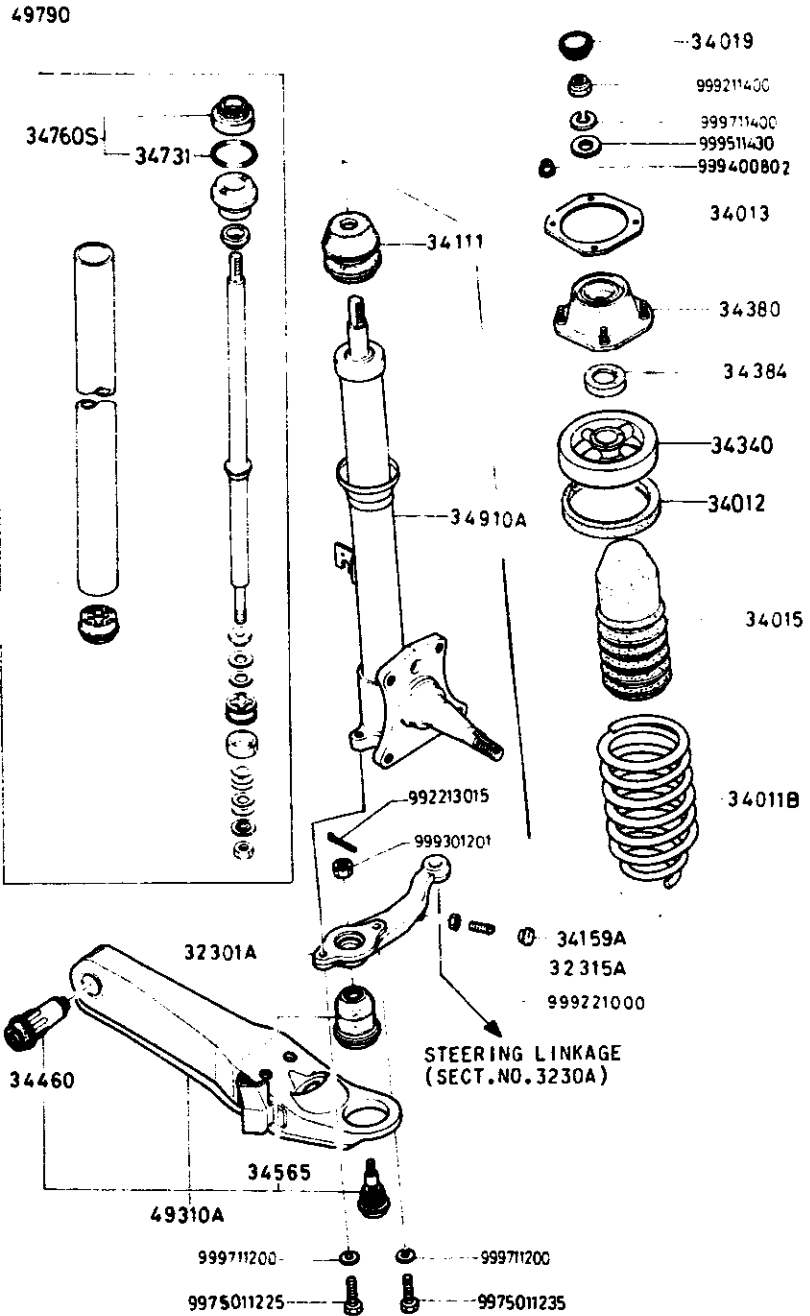
STARTING LOCATION	SECT. NO.	SECTION NAME	STARTING LOCATION	SECT. NO.	SECTION NAME	STARTING LOCATION	SECT. NO.	SECTION NAME
1 - C 8	2500A	PROPELLER SHAFT ('81 & '82 MODELS)						
1 - D 8	2500AA	PROPELLER SHAFT ('83 MODEL)						
1 - E 8	2600A	REAR AXLE						
1 - F 8	2610A	REAR BRAKES (DRUM BRAKE) (S & GS)						
1 - G 8	2610AA	REAR BRAKES (DISC BRAKE) (GS)						
1 - H 8	2700A	DIFFERENTIAL						
1 - J 8	2800A	REAR SUSPENSION						
1 - K 8	2810A	STABILIZER						
1 - L 8	3200A	STEERING WHEEL						
1 - M 8	3210A	STEERING GEAR & COLUMN						
1 - N 8	3230A	STEERING LINKAGE						
1 - C 9	3300A	FRONT AXLE & BRAKES						
1 - D 9	3400A	FRONT SUSPENSION						
1 - E 9	3410A	CROSS MEMBER & STABILIZER						
1 - F 9	3700A	TIRE & JACK						
1 - H 9	3900A	ENGINE & TRANSMISSION MOUNTINGS						
1 - I 9	4000A	EXHAUST SYSTEM						
1 - K 9	4140A	CLUTCH RELEASE & MASTER CYLINDER						
1 - L 9	4160A	ACCELERATOR CONTROLS						
1 - M 9	4200A	FUEL TANK						
1 - N 9	4300A	CLUTCH & BRAKE						
1 - C 10	4340A	TANDEM MASTER CYLINDER & VACUUM POWER ASSIST SYSTEM						
1 - D 10	4360A	BRAKE PIPINGS (REAR DRUM BRAKE) (S, GS)						
1 - E 10	4360AA	BRAKE PIPINGS (REAR DISC BRAKE) (GS)						
1 - F 10	4400A	PARKING BRAKE SYSTEM						
1 - G 10	4500A	FUEL PIPINGS						
1 - H 10	4600A	CHANGE CONTROLS (AUTOMATIC)						

3300A-1 FRONT AXLE & BRAKES



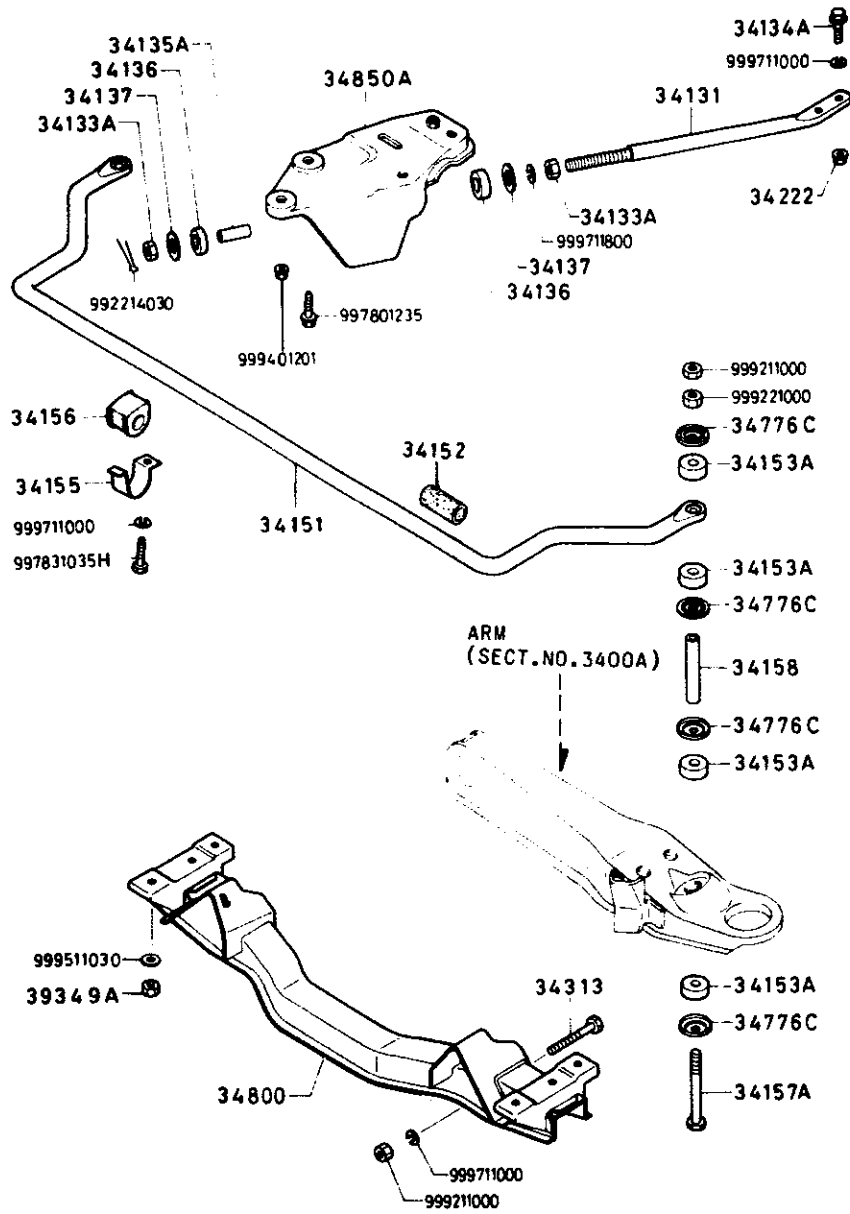
ITEM NO.	D-CODE	DESCRIPTION	PART NO.	QTY	MODEL/DESCRIPTION	REMARKS
33 042		NUT	0259-33-042	2		
33 043		WASHER, TAB	8531-33-043	2		
33 047		BEARING, FRONT WHEEL	8545-33-047	2		
33 049		COVER, SET	0259-33-049	2		
33 065		SEAL, OIL	1312-33-065	2		
33 071		CAP, HUB	0419-33-071	2		
33 075		BEARING, FRONT WHEEL	8002-33-075	2		
33 251B		PLATE, HUB/DISK	8871-33-251A	2		
33 260		ADAPTER (R), MOUNTING	8871-33-260A	1		
		ADAPTER (L), MOUNTING	8871-33-270A	1		
33 651		PISTON	8341-33-651	2		
		< A >	8341-33-651A	2		
33 691		SCREW, BLEEDER	0233-33-691	2		
33 693		CAP, RUBBER	0259-33-693	2		
33 698A		PIN	8341-33-699	2		
33 980		BRAKE (R), CALIPER	FA57-33-980	1		
		BRAKE (L), CALIPER	FA57-33-990	1		
49 240C		SEAL KIT	8341-49-240	1		
49 246C		GREASE	8341-49-270	1		
49 250B		BOOT KIT	8341-49-250	1		
49 280B		PAD, SUB SET	8871-49-280A	1		
49 290B		ATTACHMENT-PAD	8341-49-290A	1		

3400A-1 FRONT SUSPENSION



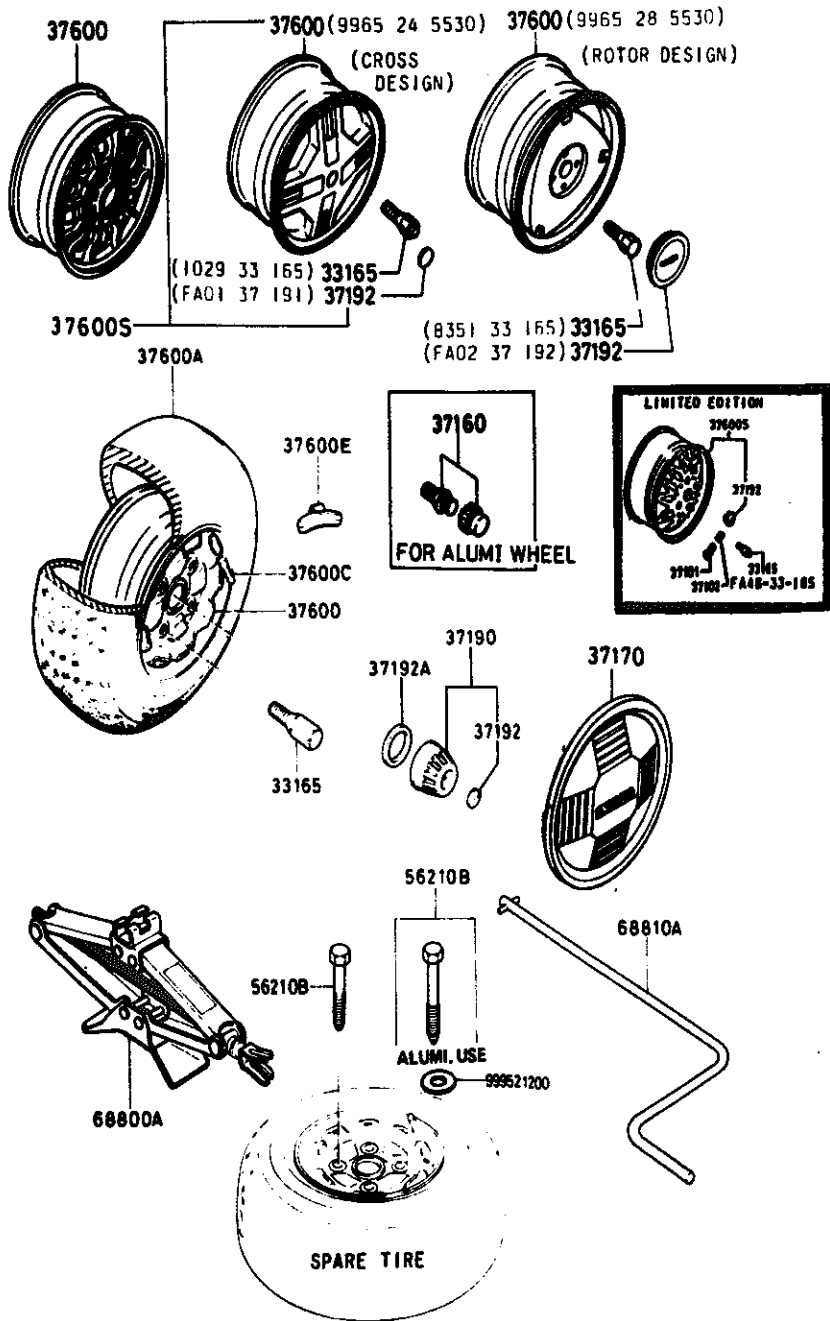
ITEM NO.	D-CODE	DESCRIPTION	PART NO.	QTY	MODEL/DESCRIPTION	REMARKS
	32 301A	ARM (R), KNUCKLE	8871-32-301C	1		
		ARM (L), KNUCKLE	8871-32-311C	1		
	32 315A	BOLT, STOPPER	0603-32-315	2		
	34 011B	SPRING (R), COIL	F001-34-011A	1		
		SPRING (L), COIL	FA01-34-011A	1		
	34 012	SHEET, RUBBER	FA01-34-012	2		
	34 013	PLATE, ADJUST	1011-34-013	2		
	34 015	COVER, DUST	FA01-34-015	2		
	34 019	CAP, DAMPER	1011-34-019	2		
	34 111	BUMPER, BOUND	8871-34-111A	2		
	34 159A	STOPPER, STEERING	1243-34-159	2		
	34 340	SHEET, SPRING-UPPER	FA01-34-340A	2		
	34 380	BLOCK, MOUNTING	FA01-34-390A	2		
	34 384	SPACER	FA01-34-384	2		
	34 460	BUSHING, ARM	8173-34-460B	2		
	34 565	SEAL, DUST	8531-34-565	2		
	34 731	O-RING	8171-34-731	2		
	34 760S	SEAL SET, DAMPER	8171-34-970	2		
	34 910A	DAMPER	FA01-34-910B	2		
	49 310A	ARM & BALL JOINT (R)	8871-49-310	1		
		ARM & BALL JOINT (L)	8871-49-320	1		
	49 790	DAMPER, SUB SET-FRONT	FA01-49-790	2		

3410A-1 CROSS MEMBER & STABILIZER



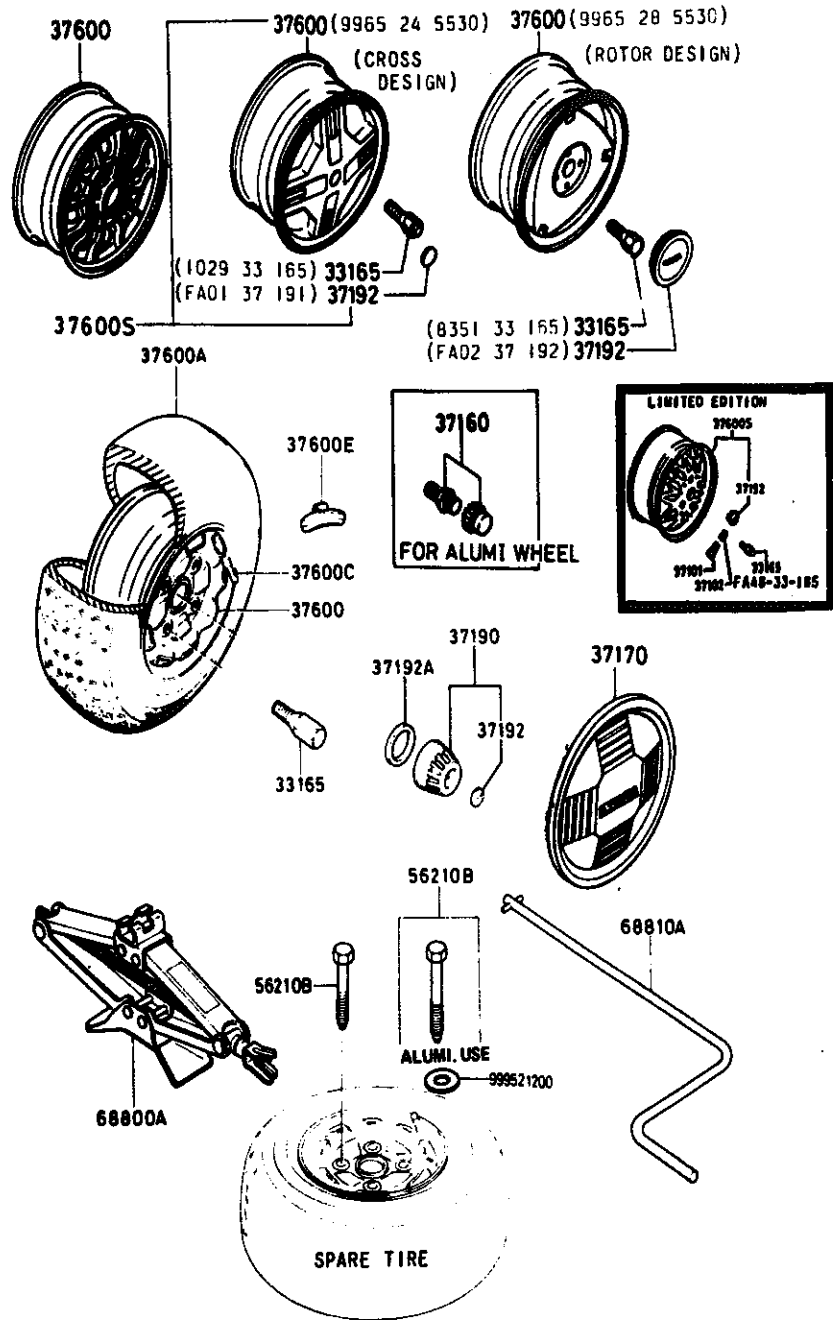
ITEM NO.	D-CODE	DESCRIPTION	PART NO.	QTY	MODEL/DESCRIPTION	REMARKS
34 131		ROD, TENSION	8871-34-131A	2		
34 133A		NUT, TENSION ROD	8871-34-133A	4		
34 134A		BOLT, TENSION ROD	8871-34-134A	4		
34 135A		SPACER	8871-34-135A	2		
34 136		CUSHION	8871-34-136B	4		
34 137		RETAINER	8871-34-137A	4		
34 151		STABILIZER	8871-34-151	1		
34 152		PROTECTOR	8871-34-152	2	'81 & '82 MODELS	
34 153A		BUSHING, STABILIZER	1243-34-153	8		
34 155		PLATE, STABILIZER	FA01-34-155	2		
34 156		BUSHING	8871-34-156A	2		
34 157A		BOLT, STABILIZER	0603-34-157A	2		
34 158		SPACER, STABILIZER	0603-34-158	2		
34 222		NUT	8871-34-222	4		
34 313		BOLT, ARM	8001-28-114	2		
34 776C		RETAINER	0223-28-776	8		
34 800		MEMBER, CROSS	8871-34-800C	1		
34 850A		BRACKET (R), TENSION ROD	8871-34-850D	1		
		BRACKET (L), TENSION ROD	8871-34-860D	1		
39 349A		NUT, CROSS MEMBER	1391-39-349	4		

3700A-1 TIRE & JACK



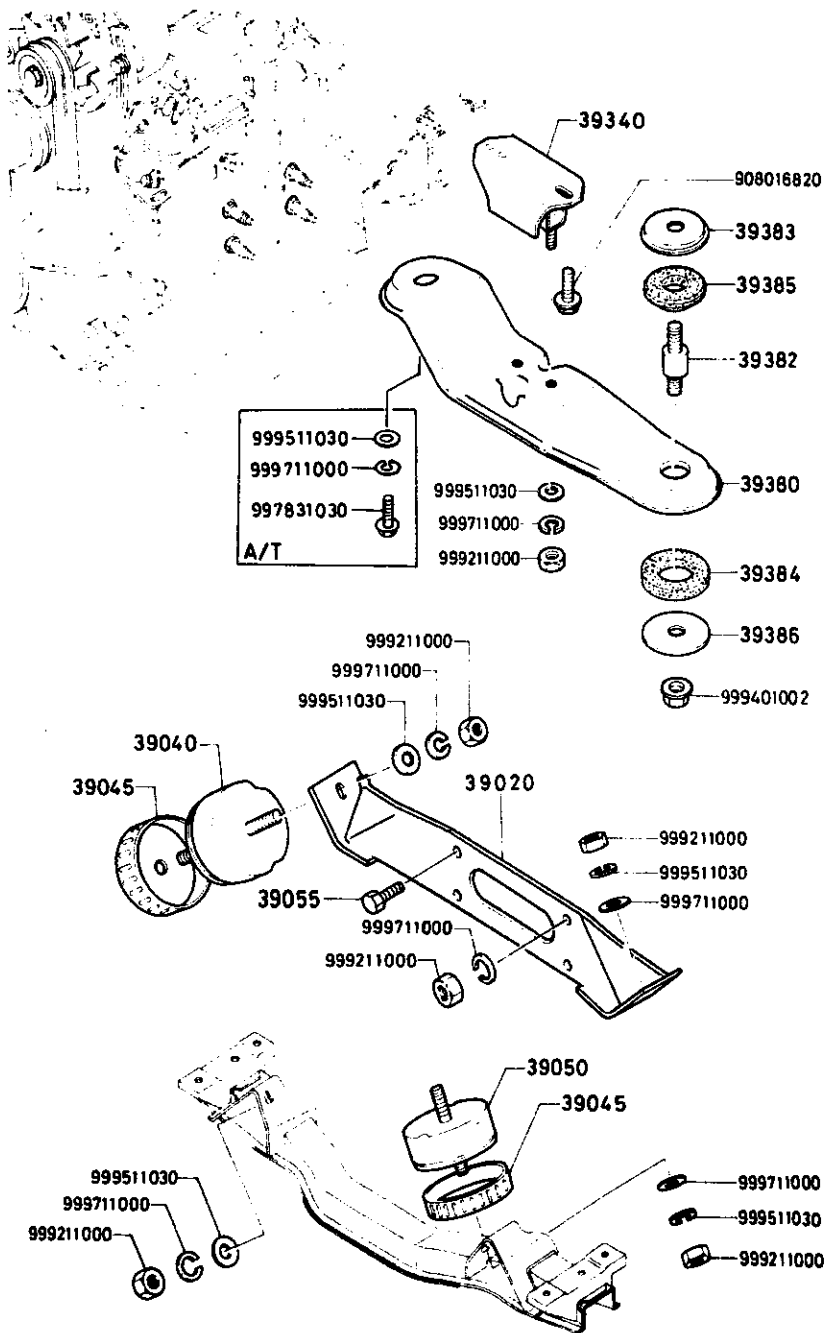
ITEM NO.	D-CODE	DESCRIPTION	PART NO.	QTY	MODEL/DESCRIPTION	REMARKS			
33 165		BOLT, WHEEL SET	1029-33-165	16	(PLATED)				
			8531-33-165	16	(PAINTED)				
			FA46-33-165P-01	16	'83 MODEL LIMITED EDITION GS				
			F001-86-260	1	(FOR ALUM. WHEEL) GS, GSL MODELS				
			G002-37-190	4	(FULL CAP) S MODEL				
			8871-37-190	4	(FOR STD. WHEEL)				
			FA01-37-191	4	(FOR ALUM. W/ CROSS DESIGN) '81 GSL '82 & '83 GS, GSL				
			8871-37-192	4	(FOR CENTER CAP)				
			GB23-37-190	4	'83 MODEL LIMITED EDITION GS				
			8531-37-193C	4	(FOR CENTER CAP)				
			9965-04-4050	1	(4-TX15) (MINI SPARE WHEEL)				
			FA01-89-376	4	(ALUM. WHEEL) (CROSS DESIGN) '81 GSL '82 & '83 GS, GSL				
			9965-38-503	4	(5JX13WDC DESIGN)				
			K3	4	(ALUM. WHEEL) '83 MODEL LIMITED EDITION GS				
			FA46-89-376	4	(ALUM. WHEEL) (CROSS DESIGN) '81 GSL '82 & '83 GS, GSL				
			0000-78-559	1	(FOR MINI SPARE WHEEL)				
37 600A		TIRE	0000-78-559	1	(FOR MINI SPARE WHEEL)				
			0000-78-648	4	(185/70HR-13, BLACK WALL)				
			0000-78-6485	4	(185/70HR-13, WHITE WALL)				
			9963-60-4130	5	(TR413)				
			9965-53-0010	5	(10G)				
			9965-53-0015	5	(15G)				
			9965-53-0020	5	(20G)				
			9965-53-0025	5	(25G)				
			9965-53-0030	5	(30G)				
			9965-53-0035	5	(35G)				
			9965-53-0040	5	(40G)				
			9965-53-0045	5	(45G)				
			37 600C		VALVE, AIR	9963-60-4130	5	(TR413)	
			37 600E		WEIGHT, BALANCING	9965-53-0010	5	(10G)	
						9965-53-0015	5	(15G)	
						9965-53-0020	5	(20G)	
			9965-53-0025	5	(25G)				
			9965-53-0030	5	(30G)				
			9965-53-0035	5	(35G)				
			9965-53-0040	5	(40G)				
			9965-53-0045	5	(45G)				

3700A-2 TIRE & JACK



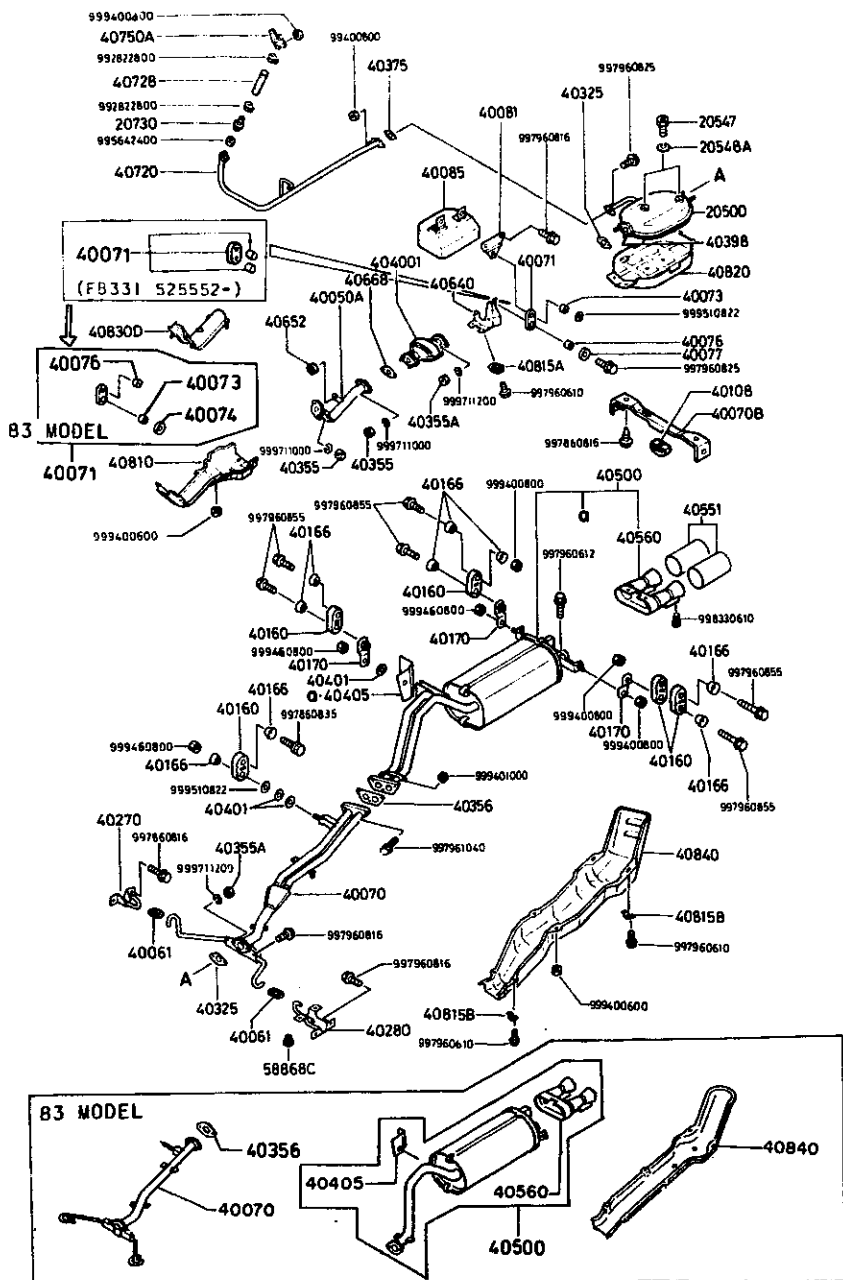
ITEM NO.	D-CODE	DESCRIPTION	PART NO.	QTY	MODEL/DESCRIPTION	REMARKS
	37 600E (CONT'D)		9965-53-0050	5	(50G)	
			9965-53-0060	5	(60G)	
			9965-59-0010	5	(10G FOR ALUM. WHEEL) '81 GSL '82 & '83 GS, GSL	
			9965-59-0015	5	(15G FOR ALUM. WHEEL) '81 GSL '82 & '83 GS, GSL	
			9965-59-0020	5	(20G FOR ALUM. WHEEL) '81 GSL '82 & '83 GS, GSL	
			9965-59-0025	5	(25G FPR ALUM. WHEEL) '81 GSL '82 & '83 GS, GSL	
			9965-59-0030	5	(30G FOR ALUM. WHEEL) '81 GSL '82 & '83 GS, GSL	
			9965-59-0035	5	(35G FOR ALUM. WHEEL) '81 GSL '82 & '83 GS, GSL	
			9965-59-0040	5	(40G FOR ALUM. WHEEL) '81 GSL '82 & '83 GS, GSL	
			9965-59-0045	5	(45G FOR ALUM. WHEEL) '81 GSL '82 & '83 GS, GSL	
			9965-59-0050	5	(50G FOR ALUM. WHEEL) '81 GSL '82 & '83 GS, GSL	
			9965-59-0060	5	(60G FOR ALUM. WHEEL) '81 GSL '82 & '83 GS, GSL	
	37 600S	WHEEL SET, DISC-ALUM.	FA01-89-376	1	(FOR ALUM. WHEEL) '81 GSL '82 & '83 GS, GSL	
	56 210B	CLAMP, SPARE TIRE	8531-56-961	1		
	68 800A	JACK	8871-37-790D	1		
	68 810A	HANDLE, JACK	0305-68-810A	1		

3900A-1 ENGINE & TRANSMISSION MOUNTINGS



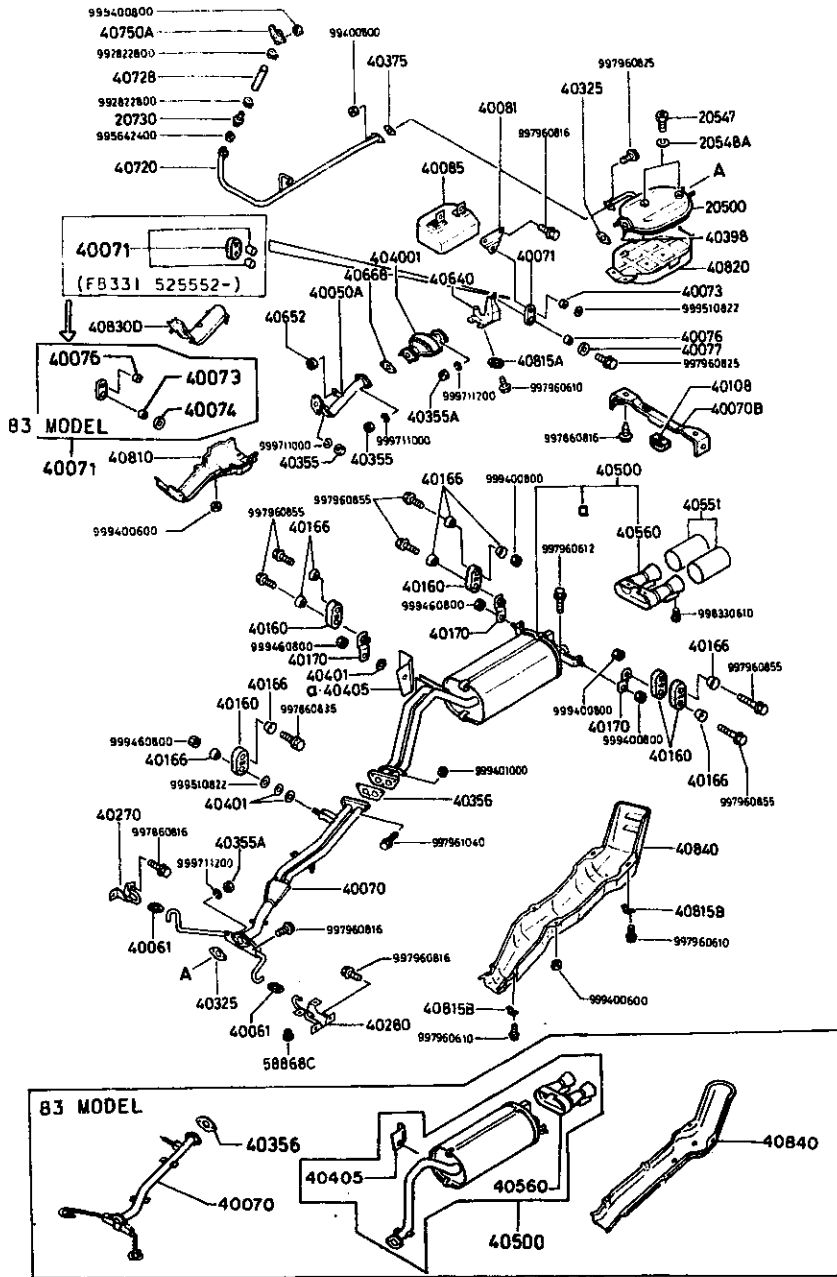
ITEM NO.	D-CODE	DESCRIPTION	PART NO.	QTY	MODEL/DESCRIPTION	REMARKS
39 020		BRACKET, ENGINE MOUNTING	8871-39-021B	1		
39 040		RUBBER (R), ENGINE MOUNTING	1668-39-040D	1		
39 045		CASING, STOPPER	1668-39-045B	2		
39 050		RUBBER (L), ENGINE MOUNTING	8545-39-040	1		
39 055		BOLT	8788-39-055	4		
39 340		RUBBER, TRANSMISSION MOUNTING	1011-39-340A	1		
39 380		MEMBER, TRANSMISSION MOUNTING	1480-39-380A	1	M/T	
			1481-39-380B	1	A/T	
39 382		STUD	1013-39-382A	2	'81 & '82 MODELS	FB331 ..500001-626754
			F001-39-372	2	'82 & '83 MODELS	FB331 ..626755-
39 383		WASHER	0884-39-383A	2	M/T	
39 384		INSULATOR, LOWER	0884-39-384	2	'81 & '82 MODELS	FB331 ..500001-626754
			8599-39-384A	2	'82 & '83 MODELS	FB331 ..626755-
39 385		INSULATOR, UPPER	0884-39-385A	2	'81 & '82 MODELS	FB331 ..500001-626754
			F001-39-375	2	'82 & '83 MODELS	FB331 ..626755-
39 386		WASHER	0884-39-386	2	'82 & '83 MODELS	FB331 ..626755-
					M/T	

4000A-1 EXHAUST SYSTEM



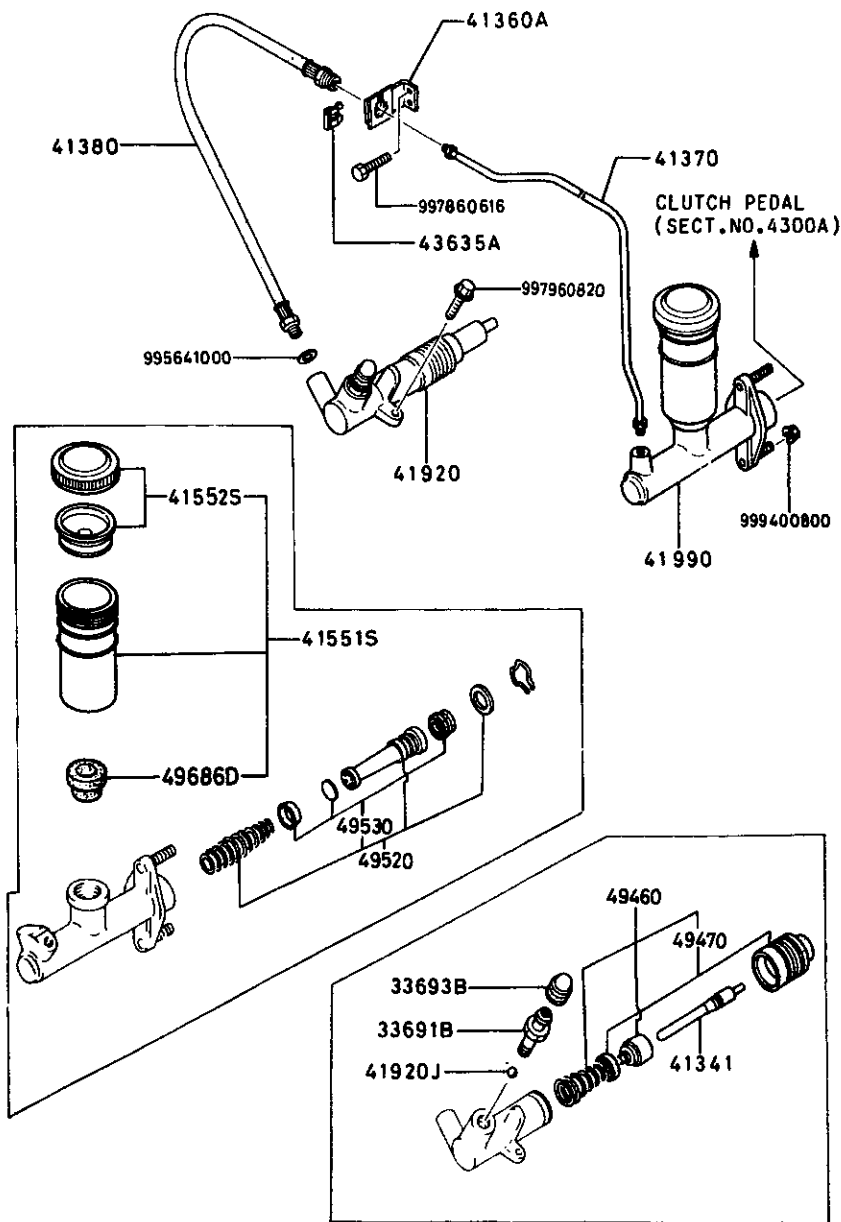
ITEM NO.	D-CODE	DESCRIPTION	PART NO.	QTY	MODEL/DESCRIPTION	REMARKS
20 500		CONVERTER, CATALYTIC	N231-40-300	1	'81 & '82 MODELS	
				1	'83 MODEL	
20 547		PLUG	1480-40-318A	2		
20 548A		WASHER, LOCK	8021-20-548	2		
20 730		VALVE, CHECK	N201-20-730	1	'81 & '82 MODELS	
40 050A		PIPE, EXHAUST-FRONT	N201-40-310A	1		
40 061		HANGER, SILENCER	1114-40-061	2		
40 070		PIPE	1480-40-200	1	'81 & '82 MODELS	
			N231-40-200	1	'83 MODEL	
40 070B		BRACKET	8871-40-010	1		
40 071		PLATE	1480-40-070	1	'81 & '82 MODELS	
			N225-40-070B	1	'83 MODEL	
40 073		SPACER	1480-40-073	1		
40 074		SPACER	N225-40-074	1	'83 MODEL	
40 076		SPACER	1480-40-076	1	'81 MODEL	FB331 ..500001-525551
			N225-40-076B	1	'83 MODEL	
40 077		WASHER, PLAIN	1480-40-077	1		
40 081		BRACKET	1480-40-080B	1		
40 085		INSULATOR	1480-40-085A	1		
40 108		RUBBER, STOP	1114-40-108B	1		
40 160		HANGER, SILENCER	1114-40-160	5		
40 166		WASHER	0820-40-166	9		
40 170		PLATE	8871-40-180	3		
40 270		HOOK	1480-40-270	1		
40 280		HOOK	1480-40-280A	1		
40 325		GASKET	1480-40-325	2		
40 355		NUT, FLANGE	8134-40-355	4		
40 355A		NUT	8118-40-355	4		
40 356		GASKET	1480-40-356	1	'81 & '82 MODELS	
			8182-40-356	1	'83 MODEL	
40 375		GASKET	1480-40-375	1		
40 398		STUD	N326-40-353	4		
40 4001		CONVERTER, MONOLITH	N201-40-400	1	'81 & '82 MODELS	
			N231-40-400	1	'83 MODEL	
40 401		INSULATOR	8871-40-401	3		
40 405		INSULATOR	8871-40-405A	1		
40 500		SILENCER, MAIN	1480-40-500	1	'81 & '82 MODELS	
			N231-40-500	1	'83 MODEL	
40 551		COVER	8871-40-551	2		
40 560		FUNNEL	8871-40-560	1		

4000A-2 EXHAUST SYSTEM



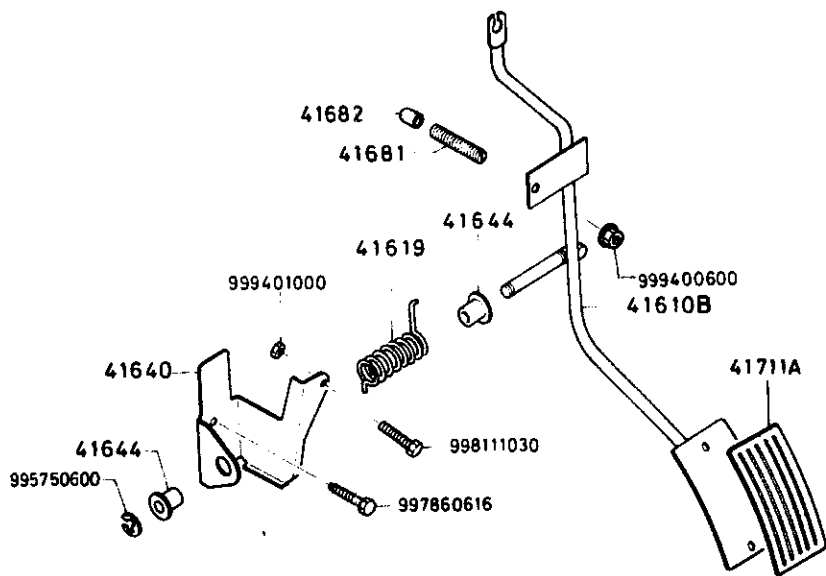
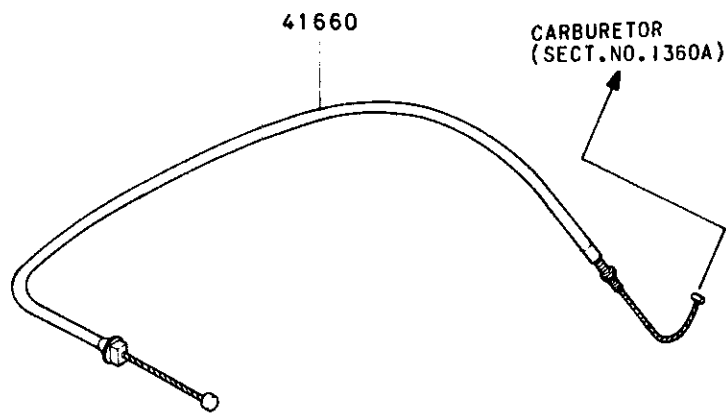
ITEM NO.	D-CODE	DESCRIPTION	PART NO.	QTY	MODEL/DESCRIPTION	REMARKS
40 640		BRACKET	1480-40-640A	1		
40 652		GUIDE	1480-40-652	1	'81 MODEL	
40 668		GASKET	1480-13-621	1		
40 720		PIPE, AIR	N201-40-740A	1		
40 728		HOSE, AIR	1480-40-728	1		
40 750A		PIPE, PRE-AIR	1480-40-750	1		
40 810		PROTECTOR NO. 1	N201-40-811	1	'81 & '82 MODELS	
			N231-40-810	1	'83 MODEL	
40 815A		WASHER	1480-40-815	2		
40 815B		GUARD, PROTECTOR	8545-40-815	4		
40 820		PROTECTOR NO. 2	1480-40-820	1		
40 830D		PROTECTOR, UPPER	N201-40-830	1		
40 840		PROTECTOR NO. 4	1480-40-841A	1	'81 & '82 MODELS	
			N229-40-841	1	'83 MODEL	
58 868C		PLUG, SERVICE COVER	0559-58-868	1		
		REFER TO RECALL CAMPAIGN NOS. 23702/2370C FOR EMISSION CONTROL INFO.				

4140A-1 CLUTCH RELEASE & MASTER CYLINDER



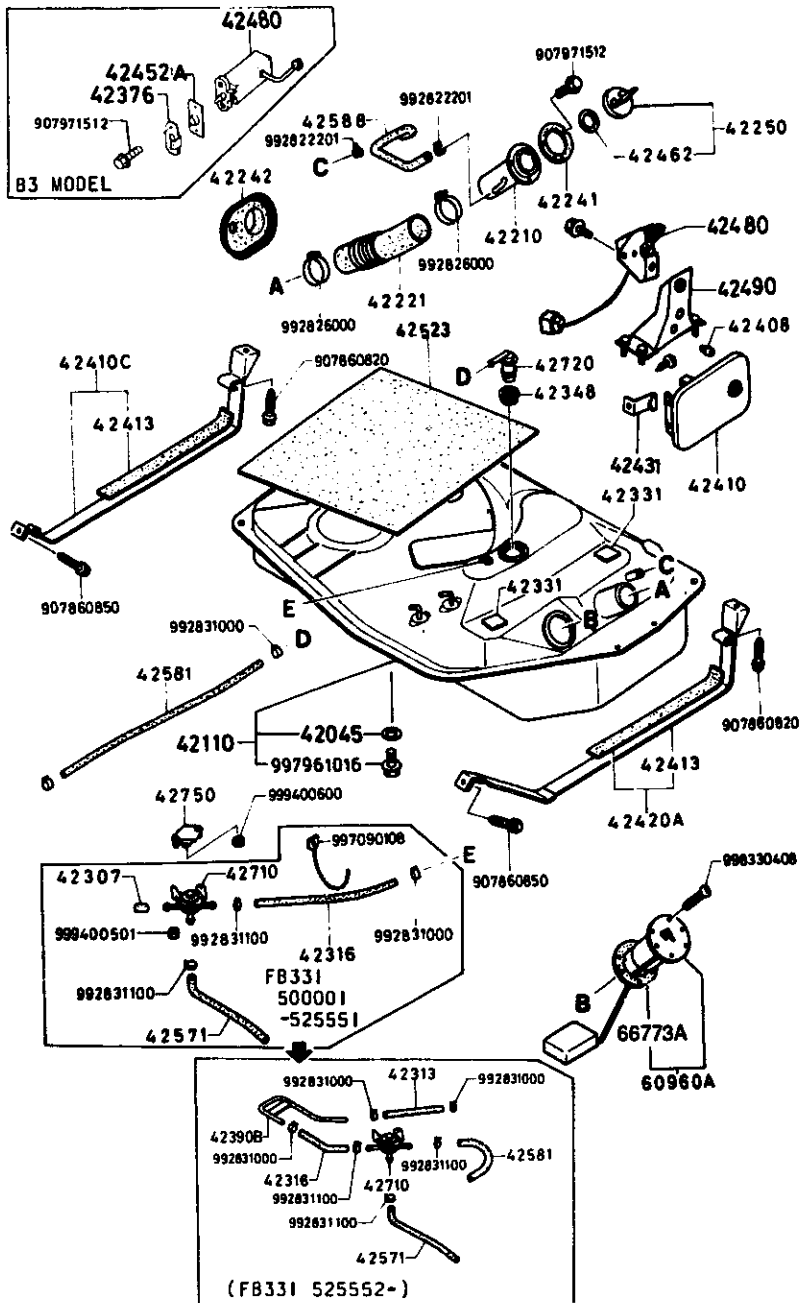
ITEM NO.	D-CODE	DESCRIPTION	PART NO.	QTY	MODEL/DESCRIPTION	REMARKS
33 691B		SCREW, BLEEDER	0259-33-691	1		
33 693B		CAP, BLEEDER	0259-33-693	1		
41 341		ROD	H005-41-341	1		
41 360A		HOLDER	8871-41-370	1		
41 370		PIPE, CLUTCH	FA01-45-510	1		
41 380		HOSE, FLEXIBLE	G011-41-380	1		
41 551S		TANK SET, RESERVE	GA02-49-570	1		
		< A >	GA02-49-570B	1		
41 552S		CAP SET, RESERVE TANK	GA02-49-580B	1		
41 920		CYLINDER, CLUTCH RELEASE	FA01-41-920	1	'81 & '82 MODELS	
			FA42-41-920A	1	'83 MODEL	
41 920J		BALL, STEEL	9961-11-500	1		
41 990		CYLINDER, CLUTCH MASTER	G011-41-400	1		
43 635A		CLIP, FLEXIBLE HOSE	0136-43-635	1		
49 460		PARTS KIT, INNER	H005-49-460	1		
49 470		SEALING KIT	G011-49-470	1		
49 520		PARTS KIT, INNER	GA02-49-520A	1		
49 530		SEALING KIT	GA02-49-530	1		
49 686D		BUSHING, ELBOW JOINT	0305-49-686B	1		

4160A-1 ACCELERATOR CONTROLS



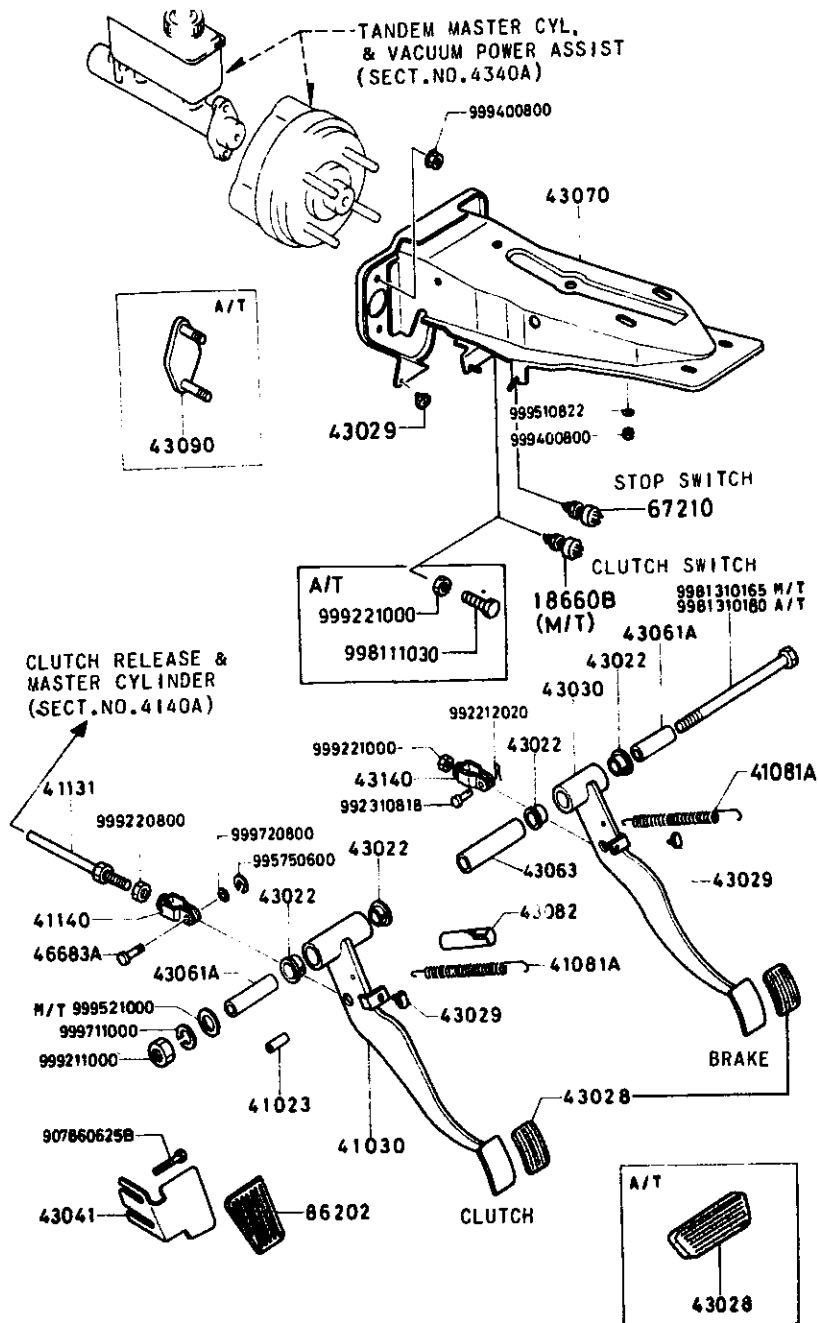
ITEM NO.	D-CODE	DESCRIPTION	PART NO.	QTY	MODEL/DESCRIPTION	REMARKS
41 610B		PEDAL & ARM	FA01-41-610	1		
41 619		SPRING, RETURN	8239-41-619	1		
41 640		RETAINER, ROD	3597-41-650A	1		
41 644		BUSHING	0259-41-644	2		
41 660		WIRE, ACCELERATOR	FA01-41-660	1	'81 & '82 MODELS	
			FA42-41-660A	1	'83 MODEL	
41 681		STOPPER	0118-41-681	1		
41 682		RUBBER, STOP	0118-41-682	1		
41 711A		PAD, ACCELERATOR	8871-41-711B	1		

4200A-1 FUEL TANK



ITEM NO.	D-CODE	DESCRIPTION	PART NO.	QTY	MODEL/DESCRIPTION	REMARKS
42 045		GASKET, DRAIN PLUG	0866-42-046	1	'83 MODEL	
42 110		TANK, FUEL	FA01-42-110A	1	'81 MODEL	FB331 ..500001-525551
		REFER TO PARTS BULL. NO. T-2-4 FOR MORE INFO.				
		<C>	FA01-42-110B	1	'81 & '82 MODELS	FB331 ..525552-
			FA42-42-110	1	'83 MODEL	
42 210		PIPE, FILLER	8871-42-210C	1		
42 221		HOSE, FILLER	8344-42-241	1		
42 241		GASKET, FILLER PIPE	0866-42-366B	1		
42 242		RUBBER SEAL	8871-42-242A	1		
42 250		CAP, FILLER	8871-42-250B	1		
42 307		CAP	0223-42-307	1	'81 MODEL	FB331 ..500001-525551
42 313		TUBE, VENT	9935-10-6999		BULK QTY.	
42 316		HOSE, VENT	9935-10-6999		BULK QTY.	
42 331		SHEET	8531-42-761	2		
42 348		GROMMET	3870-42-725	1	'81 MODEL	FB331 ..500001-525551
42 376		PLATE, LOCK	H043-42-451A	1	'83 MODEL	
42 390B		PIPE, BREATHER	8562-42-530	1		FB331 ..525552-
42 408		STOPPER, FILLER LID	UA64-42-459	2	'81 MODEL	FB331 ..500001-500062
			0187-70-491	2		FB331 ..500063-
42 410		LID, FUEL FILLER	8871-42-410A	1	'81 & '82 MODELS	
			FA54-42-410	1	'83 MODEL	
42 410C		BAND (R), TANK FIXTURE	8871-42-710B	1		
42 413		SHEET	8871-42-745	2		
42 420A		BAND (L), TANK FIXTURE	8871-42-720A	1		
42 431		SPRING LIFT, LID	FA01-42-431B	1		
42 452A		GROMMET	H043-42-452B	1	'83 MODEL	
42 462		GASKET, CAP	8871-42-365	1		
42 480		OPENER, FILLER LID	FA01-42-480	1	'81 & '82 MODELS	
			F023-42-470B	1	'83 MODEL	
42 490		BRACKET, OPENER	FA01-42-490	1	'81 & '82 MODELS	
42 523		PAD, FUEL TANK	8871-72-761	1		
42 571		HOSE, VENT	8871-42-571B	1		
42 581		HOSE, BREATHER	FA01-42-581	1	'81 MODEL	FB331 ..500001-525551
			F001-42-581A	1		FB331 ..525552-
42 588		HOSE, VENT	8344-42-245	1		
42 710		VALVE, CHECK	8341-42-910A	1		
42 720		VALVE, FUEL VAPORIZER	3870-42-720A	1	'81 MODEL	FB331 ..500001-525551
42 750		BRACKET, CHECK VALVE	8871-42-920	1		
60 960A		GAUGE, FUEL TANK	FA01-60-960A	1		
66 773A		GAUGE, GASKET	8871-60-962A	1		

4300A-1 CLUTCH & BRAKE

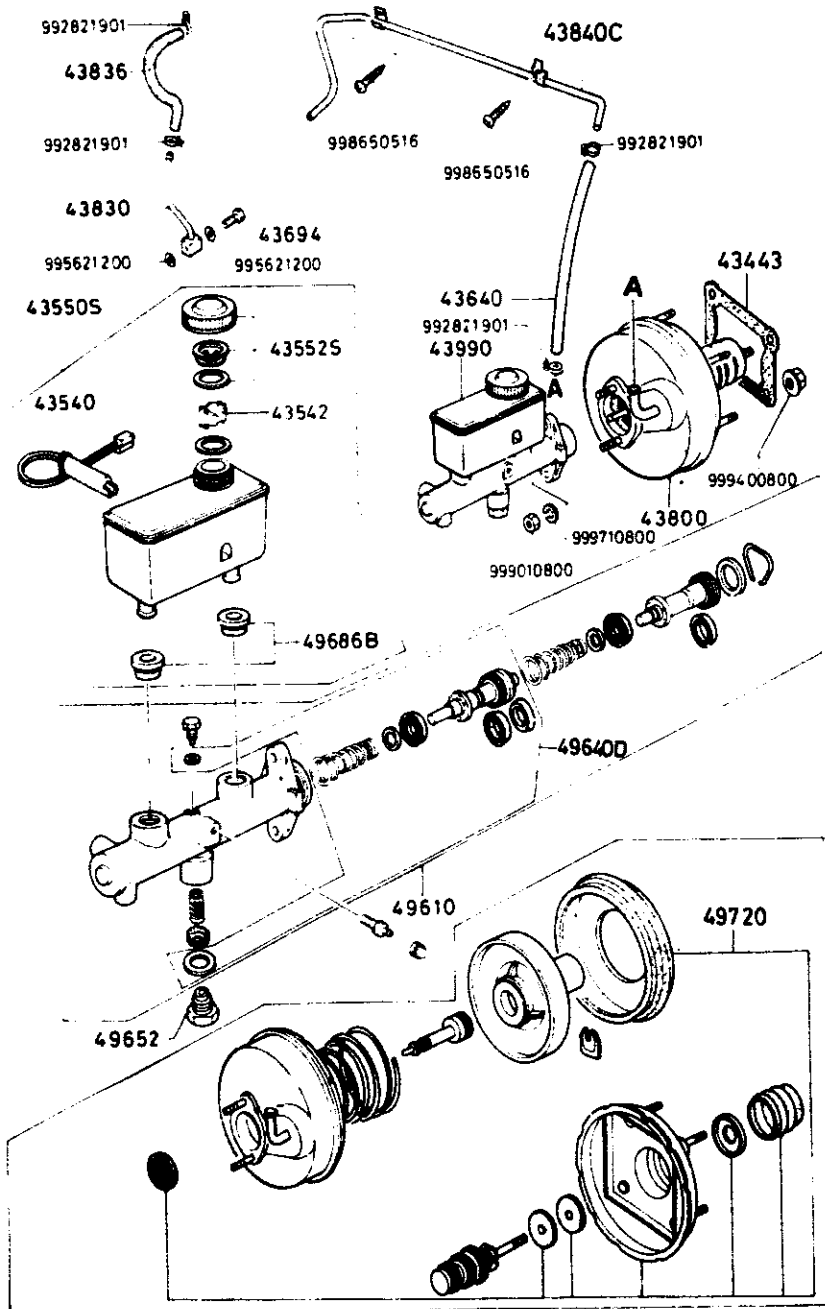


ITEM NO.	D-CODE	DESCRIPTION	PART NO.	QTY	MODEL/DESCRIPTION	REMARKS
18 660B		SWITCH, CLUTCH	8001-66-490A	1	M/T, GSL MODEL	
41 023		BUSHING, CLUTCH PEDAL	0727-41-023	1	M/T	
41 030		PEDAL, CLUTCH	FA01-41-030	1	M/T	
41 081A		SPRING, RETURN	0088-41-352A	1	A/T	
				2	M/T	
41 131		ROD, PUSH	0727-41-131	1	M/T	
41 140		FORK, CLUTCH	0259-43-140	1	M/T	
			< C >	1	REQUIRES NUT: 9994-01-000	
43 022		BUSHING, PEDAL	1015-46-085	2	A/T	
				4	M/T	
43 028		PAD, PEDAL	0225-43-028A	1	A/T	
				2	M/T	
43 029		RUBBER, STOPPER	B001-43-029	2	A/T	
				3	M/T	
43 030		PEDAL, BRAKE	FA01-43-030	1	[W/O CONTROL SWITCH] '81 MODEL M/T S & GS	FB331...500001-521855
				1	[CONTROL SWITCH] M/T, GSL	
				1	[W/O CONTROL SWITCH] '81 MODEL A/T S & GS	FB331...500001-521855
				1	[CONTROL SWITCH] A/T, GSL	
43 041		REST, FOOT	FA01-43-041	1		
43 061A		PIPE, PEDAL	0866-43-062	1	A/T	
				2	M/T	
43 063		SPACER	FA16-43-063	1		
43 070		BRACKET, MASTER CYLINDER	FA01-43-070C	1		
43 082		PROTECTOR, SPRING	1011-43-082A	1	M/T	
43 090		PLATE	8872-43-090	1	A/T	
43 140		FORK, BRAKE	1872-43-140	1	M/T	
				1	A/T	
46 683A		PIN	0223-46-683	1	M/T	
67 210		SWITCH, STOP	B001-66-490A	2		
86 202		PAD, FOOT REST	FA01-43-042	1	GS & GSL MODELS	

SECTION INDEX -- CHASSIS

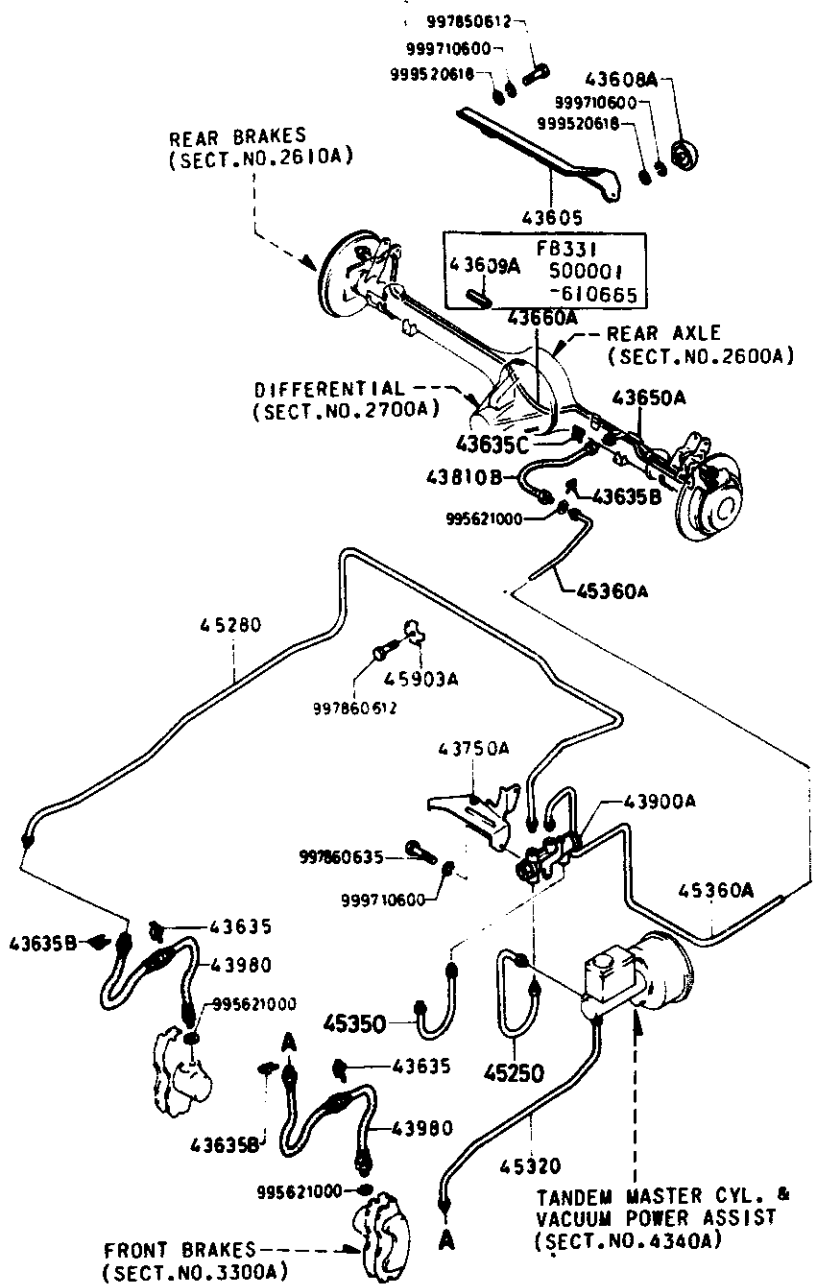
STARTING LOCATION	SECT. NO.	SECTION NAME	STARTING LOCATION	SECT. NO.	SECTION NAME	STARTING LOCATION	SECT. NO.	SECTION NAME
1 - C 8	2500A	PROPELLER SHAFT ('81 & '82 MODELS)						
1 - D 8	2500AA	PROPELLER SHAFT ('83 MODEL)						
1 - E 8	2600A	REAR AXLE						
1 - F 8	2610A	REAR BRAKES (DRUM BRAKE) (S & GS)						
1 - G 8	2610AA	REAR BRAKES (DISC BRAKE) (GS)						
1 - H 8	2700A	DIFFERENTIAL						
1 - J 8	2800A	REAR SUSPENSION						
1 - K 8	2810A	STABILIZER						
1 - L 8	3200A	STEERING WHEEL						
1 - M 8	3210A	STEERING GEAR & COLUMN						
1 - N 8	3230A	STEERING LINKAGE						
1 - C 9	3300A	FRONT AXLE & BRAKES						
1 - D 9	3400A	FRONT SUSPENSION						
1 - E 9	3410A	CROSS MEMBER & STABILIZER						
1 - F 9	3700A	TIRE & JACK						
1 - H 9	3900A	ENGINE & TRANSMISSION MOUNTINGS						
1 - I 9	4000A	EXHAUST SYSTEM						
1 - K 9	4140A	CLUTCH RELEASE & MASTER CYLINDER						
1 - L 9	4160A	ACCELERATOR CONTROLS						
1 - M 9	4200A	FUEL TANK						
1 - N 9	4300A	CLUTCH & BRAKE						
1 - C 10	4340A	TANDEM MASTER CYLINDER & VACUUM POWER ASSIST SYSTEM						
1 - D 10	4360A	BRAKE PIPINGS (REAR DRUM BRAKE) (S. GS)						
1 - E 10	4360AA	BRAKE PIPINGS (REAR DISC BRAKE) (GS)						
1 - F 10	4400A	PARKING BRAKE SYSTEM						
1 - G 10	4500A	FUEL PIPINGS						
1 - H 10	4600A	CHANGE CONTROLS (AUTOMATIC)						

4340A-1 TANDEM MASTER CYLINDER & VACUUM POWER ASSIST SYSTEM



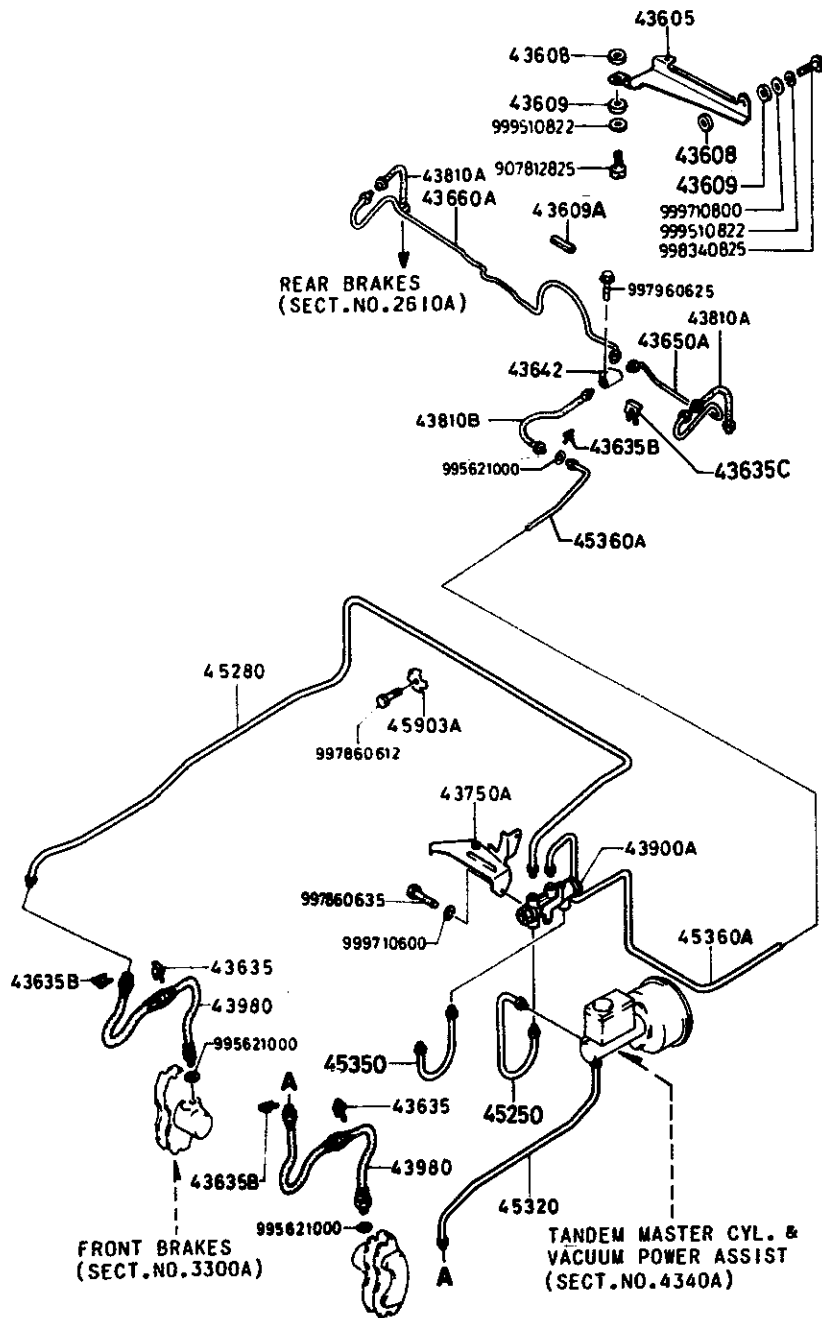
ITEM NO.	D-CODE	DESCRIPTION	PART NO.	QTY	MODEL/DESCRIPTION	REMARKS
	43 443	GASKET	H001-43-443	1	[USE W/ MASTER VACUUM]	FB331 ..642150-
	43 540	INDICATOR, LEVEL	3597-43-540	1		
	43 542	FLOAT	8531-43-542	1		
	43 550S	TANK SET, RESERVE	FA07-49-680	1		
	43 552S	CAP SET, RESERVE TANK	8093-49-580	1		
	43 640	HOSE, VACUUM	G001-43-640	1		
	43 694	BOLT, CONNECTOR	8573-43-694	1		
	43 800	VACUUM POWER ASSIST	FA16-43-800	1		
	43 830	PIPE, VACUUM	1480-43-830A	1		
	43 836	HOSE, VACUUM	8871-43-836	1		
	43 840C	PIPE, VACUUM	FA01-43-840	1		
	43 990	CYLINDER, TANDEM MASTER	FA07-43-400	1	S & GS MODELS	
			FA18-43-400	1	GSL MODEL	
	49 610	PARTS SET, BRAKE CYLINDER	G001-49-610	1	S & GS MODELS	
			FA18-49-610	1	GSL MODEL	
	49 640D	PARTS KIT, INNER	G001-49-640	1	S & GS MODELS	
			FA18-49-640	1	GSL MODEL	
	49 652	BOLT, JOINT	G001-49-652	1	S & GS MODELS	
	49 686B	BUSHING, ELBOW JOINT	0305-49-686B	2		
	49 720	REPAIR KIT	F001-49-720	1		

**4360A-1 BRAKE PIPINGS (REAR DRUM BRAKE)
(S, GS)**



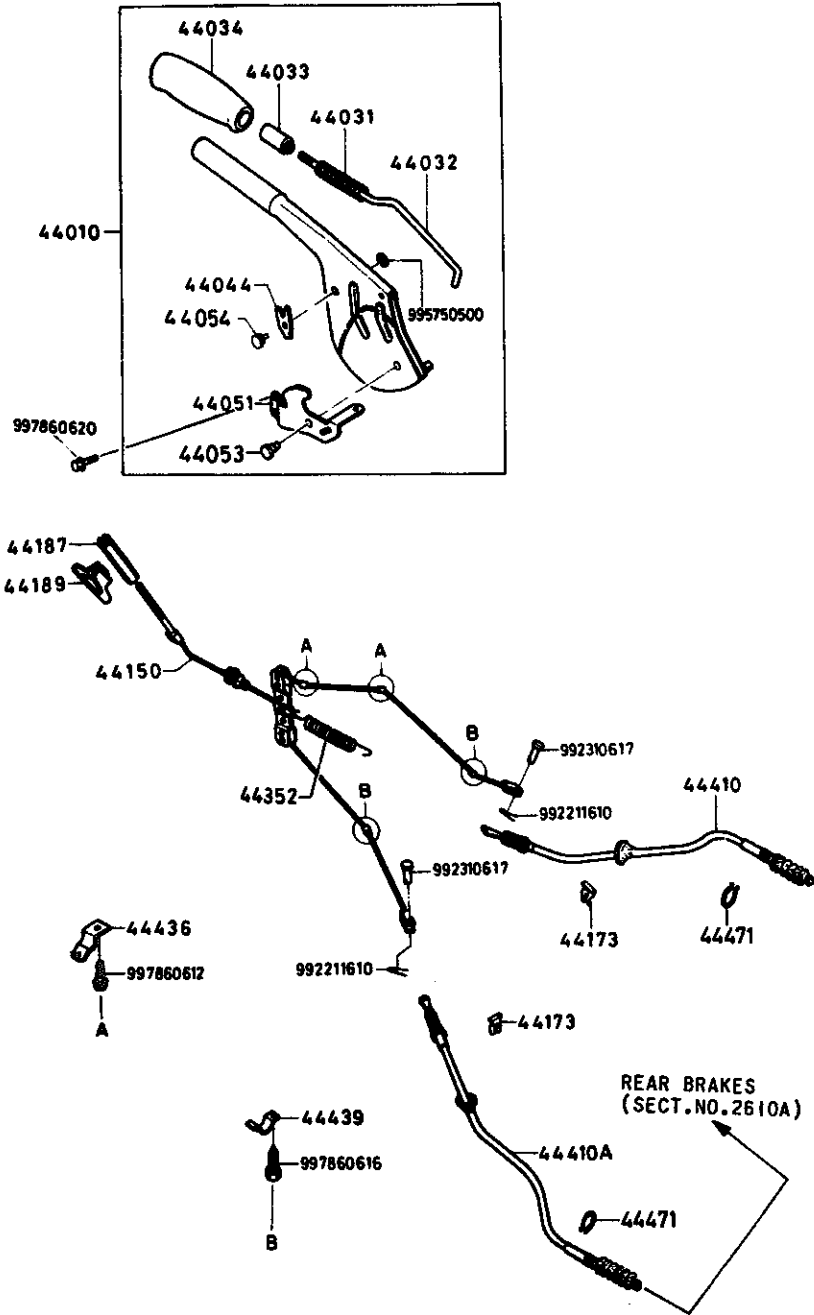
ITEM NO.	D-CODE	DESCRIPTION	PART NO.	QTY	MODEL/DESCRIPTION	REMARKS
	43 605	PROTECTOR, BRAKE PIPE	8871-43-785A	1		
	43 608A	SCREW, RUBBER	8871-43-608	1		
	43 609A	PROTECTOR, BRAKE PIPE	8595-43-609	7	'81 & '82 MODELS	FB331 ..500001-610655
	43 635	CLIP, FLEXIBLE HOSE	B001-43-635	2		
	43 635B	CLIP, FLEXIBLE HOSE	0136-43-635	3		
	43 635C	CLIP, HOSE	B001-43-635	2		
	45 650A	PIPE (L), BRAKE-REAR	FA07-43-650	1		
	43 660A	PIPE (R), BRAKE-REAR	FA07-43-660	1		
	43 750A	HOLDER, BRAKE PIPE VALVE	FA07-43-750	1		
	43 810B	HOSE NO. 1, FLEXIBLE	FA07-43-820	1		
	43 900A	VALVE, BRAKE PIPE	FA07-43-900	1		
	43 980	HOSE, FLEXIBLE	GA02-43-980	2		
	45 250	PIPE, BRAKE-FRONT	FA07-43-360	1		
	45 280	PIPE (R), BRAKE-FRONT	FA01-45-280	1	'81 & '82 MODELS	
			FA42-45-280	1	'83 MODEL	
	45 320	PIPE (L), BRAKE-FRONT	FA01-45-320	1		
	45 350	PIPE, BRAKE-REAR	FA07-43-370	1		
	45 360A	PIPE, BRAKE-REAR	FA54-45-360	1		
	45 903A	CLIP	8173-45-903	2		

**4360AA-1 BRAKE PIPINGS (REAR DISC BRAKE)
(GSL)**



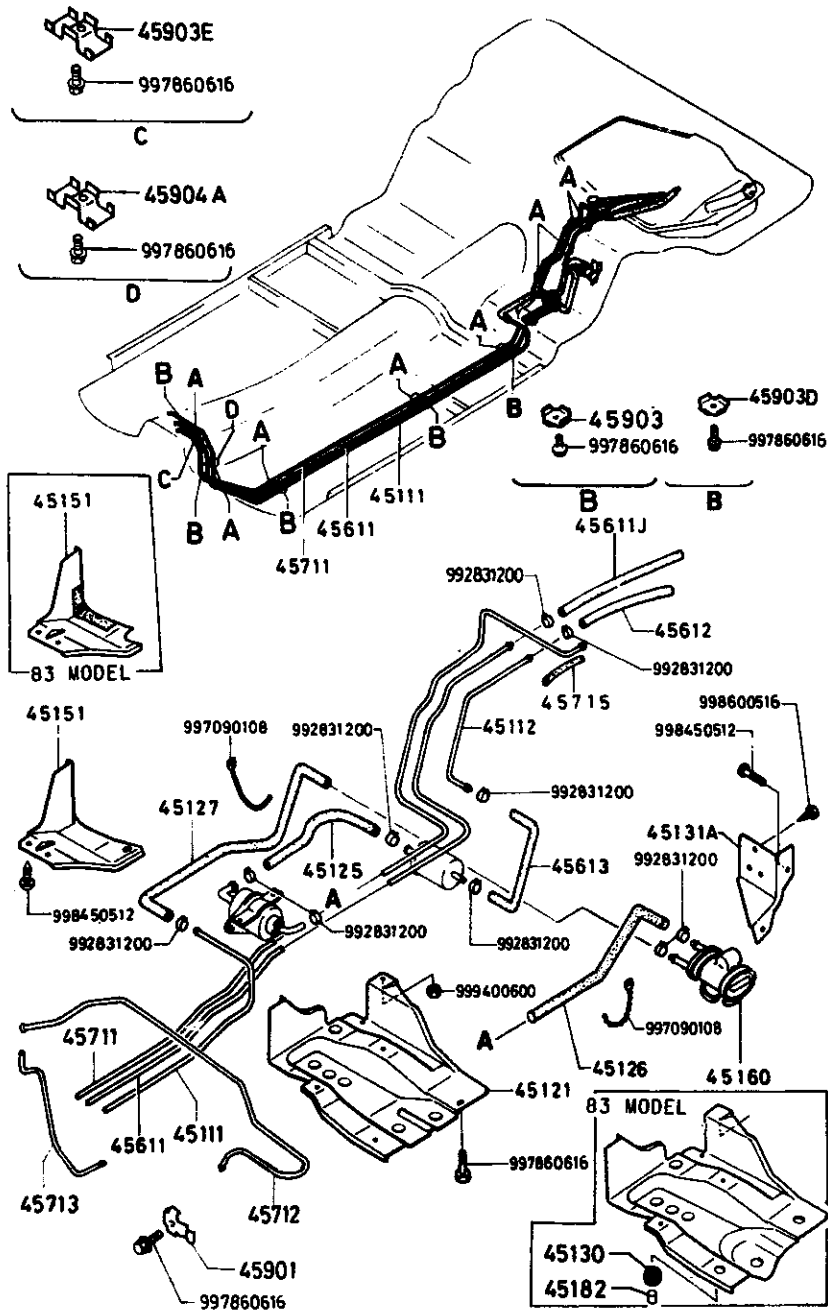
ITEM NO.	D-CODE	DESCRIPTION	PART NO.	QTY	MODEL/DESCRIPTION	REMARKS
43 605		PROTECTOR, BRAKE PIPE	FA18-43-605A	1		
43 608		SPACER	1114-43-608B	3		
43 609		RUBBER, CUSHION	1114-43-609A	3		
43 609A		PROTECTOR, BRAKE PIPE	8595-43-609	6	'81 & '82 MODELS	FB331 ..500001-610655
43 635		CLIP, FLEXIBLE HOSE	0305-43-635	2		
43 635B		CLIP, FLEXIBLE HOSE	0136-43-635	3		
43 635C		CLIP, HOSE	0305-43-635	2		
43 642		JOINT	FA18-43-642A	1		
43 650A		PIPE (L), BRAKE-REAR	FA18-43-650	1		
43 660A		PIPE (R), BRAKE-REAR	FA18-43-660	1		
43 750A		HOLDER, BRAKE PIPE VALVE	FA07-43-750	1		
43 810A		HOSE NO. 1, FLEXIBLE	FA18-43-810	2		
43 810B		HOSE NO. 1, FLEXIBLE	FA18-43-820A	1		
43 900A		VALVE, BRAKE PIPE	FA07-43-900	1	'81 & '82 MODELS	
			FA48-43-900	1	'83 MODEL	
43 980		HOSE, FLEXIBLE	GA02-43-980	2		
45 250		PIPE, BRAKE-FRONT	FA07-43-360	1		
45 280		PIPE (R), BRAKE-FRONT	FA01-45-280	1	'81 & '82 MODELS	
			FA42-45-280	1	'83 MODEL	
45 320		PIPE (L), BRAKE-FRONT	FA01-45-320	1		
45 350		PIPE, BRAKE-REAR	FA07-43-370	1		
45 360A		PIPE, BRAKE-REAR	FA54-45-360	1		
45 903A		CLIP	8173-45-903	2		

4400A-1 PARKING BRAKE SYSTEM



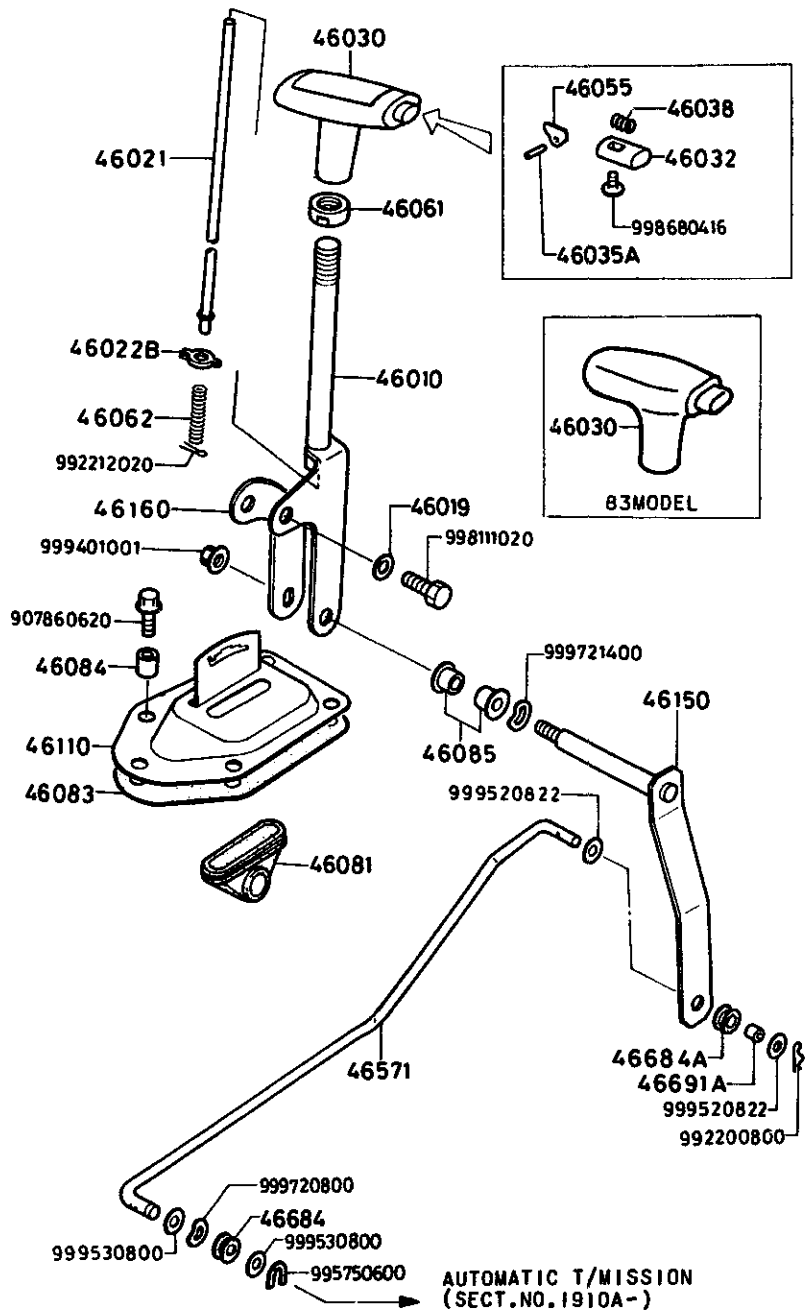
ITEM NO.	D-CODE	DESCRIPTION	PART NO.	QTY	MODEL/DESCRIPTION	REMARKS
44 010		LEVER, PARKING BRAKE	FA01-44-010B	1		
		BLACK	00			
44 031		SPRING	FA54-44-031	1		
44 032		ROD, RELEASE	FA01-44-032	1		
44 033		BUTTON, RELEASE	0221-44-033	1		
		BLACK	00			
44 034		CAP	FA01-44-034A	1		
		BLACK	00			
44 044		RATCHET	1243-44-044A	1		
44 051		SECTOR	FA01-44-051	1		
44 053		BOLT, HAND BRAKE LEVER	B001-44-053	1		
44 054		PIN	B001-44-054	1		
44 150		CABLE, FRONT PARKING BRAKE	1480-44-150A	1		
44 173		CLIP	0118-44-375	2		
44 187		SCREW	0866-44-187A	1		
44 189		CLIP	0866-44-189	1		
44 352		SPRING, RETURN	0613-41-308	1		
44 410		CABLE (R), REAR PARKING BRAKE	FA16-44-410B	1	4-WHL DISK GSL MODEL	
			FA54-44-410A	1	S & GS MODELS	
44 410A		CABLE (L), REAR PARKING BRAKE	FA16-44-420A	1	GSL MODEL	
			FA54-44-420A	1	S & GS MODELS	
44 436		CLIP	8871-44-439	2		
44 439		CLIP, CABLE	1011-44-439	2		
44 471		CLIP	0305-44-471	2	S & GS MODELS	

4500A-1 FUEL PIPINGS



ITEM NO.	D-CODE	DESCRIPTION	PART NO.	QTY	MODEL/DESCRIPTION	REMARKS
45 111		PIPE, FUEL MAIN	FA01-45-111B	1	'81 & '82 MODELS	
			FA42-45-111A	1	'83 MODEL	
45 112		PIPE, FUEL MAIN	FA01-45-112	1		
45 121		BRACKET, FUEL PUMP	8871-45-160	1	'81 & '82 MODELS	
			FA23-45-160A	1	'83 MODEL	
45 125		HOSE, FUEL	9935-80-8999		BULK QTY.	
45 126		HOSE, FUEL	8344-45-125	1	'81 & '82 MODELS	
			FA42-45-125	1	'83 MODEL	
45 127		HOSE, FUEL MAIN	8344-45-126	1	'81 & '82 MODELS	
			FA42-45-126A	1	'83 MODEL	
45 130		RUBBER, PUMP MOUNTING	FA23-45-181	3	'83 MODEL	
45 131A		BRACKET, CUT VALVE	8871-45-131A	1		
45 151		PROTECTOR, FUEL PUMP	8871-45-151A	1	'81 & '82 MODELS	
			FA23-45-190A	1	'83 MODEL	
45 160		VALVE-FUEL CUT	3919-45-170A	1		
45 182		SPACER, MOUNTING RUBBER	FA23-45-182	3	'83 MODEL	
45 611		PIPE, FUEL RETURN	FA01-45-611A	1	'81 & '82 MODELS	
			FA42-45-611B	1	'83 MODEL	
45 611J		HOSE, FUEL RETURN	9935-80-6999		BULK QTY.	
45 612		HOSE, FUEL	9935-80-8999		BULK QTY.	
45 613		HOSE, FUEL	8344-45-123	1		
45 711		PIPE, EVAPORATION	FA01-45-711	1	'81 & '82 MODELS	
			FA42-45-711C	1	'83 MODEL	
45 712		PIPE, EVAPORATION	FA01-45-712	1	'81 MODEL	
			FA30-45-712	1	'82 MODEL	
			FA42-45-712B	1	'83 MODEL	
45 713		PIPE, EVAPORATION DRAIN	FA01-45-713	1	'81 MODEL	FB331 ..500001-529438
45 715		PROTECTOR, PIPE	8871-45-715	1		
45 901		CLIP, PIPE	8173-45-901A	2	'81 & '82 MODELS	
				1	'83 MODEL	
45 903		CLIP, PIPE	8173-45-903	10	'81 MODEL	
				9	'82 MODEL	
				8	'83 MODEL	
45 903D		CLIP, PIPE	8171-45-903A	6	'81 & '82 MODELS	
				7	'83 MODEL	
45 903E		CLIP	FA42-45-903	1	'83 MODEL	
45 904A		CLIP, PIPE	FA42-45-904	1	'83 MODEL	

4600A-1 CHANGE CONTROLS (AUTOMATIC)



ITEM NO.	D-CODE	DESCRIPTION	PART NO.	QTY	MODEL/DESCRIPTION	REMARKS
46 010		LEVER, SELECT	1481-46-010	1		
46 019		WASHER, PLAIN	1481-46-019	1		
46 021		ROD	8872-46-021A	1	'81 & '82 MODELS	
			F025-46-021	1	'83 MODEL	
46 022B		PIN, GUIDE	8174-46-022	1		
46 030		KNOB, CHANGE LEVER	8872-46-030C	1	'81 & '82 MODEL	
		BLACK	00			
			HA19-46-030A	1	'83 MODEL	
		BLACK	00			
46 032		BUTTON, PUSH	8872-46-032	1	'81 & '82 MODELS	
46 035A		PIN	1244-46-035	1	'81 & '82 MODELS	
46 038		SPRING	1244-46-038	1	'81 & '82 MODELS	
46 055		LEVER	1244-46-055	1	'81 & '82 MODELS	
46 061		NUT	8202-46-061A	1		
46 062		SPRING	2375-46-062	1		
46 081		BOOT	1481-46-081A	1		
46 083		RUBBER, SEAL	FA03-46-083	1		
46 084		SPACER	1481-46-084A	5		
46 085		BUSHING	1015-46-085	2		
46 110		BRACKET, LEVER	FA03-46-110	1		
46 150		LEVER	1481-46-150A	1		
46 160		LEVER, ADJUST	1481-46-160	1		
46 571		ROD	FA03-46-571	1		
46 684		BUSHING	1015-46-684A	1		
46 684A		BUSHING, COUNTER LEVER	1481-46-684	1		
46 691A		BUSHING, JOINT	8872-46-685	1		